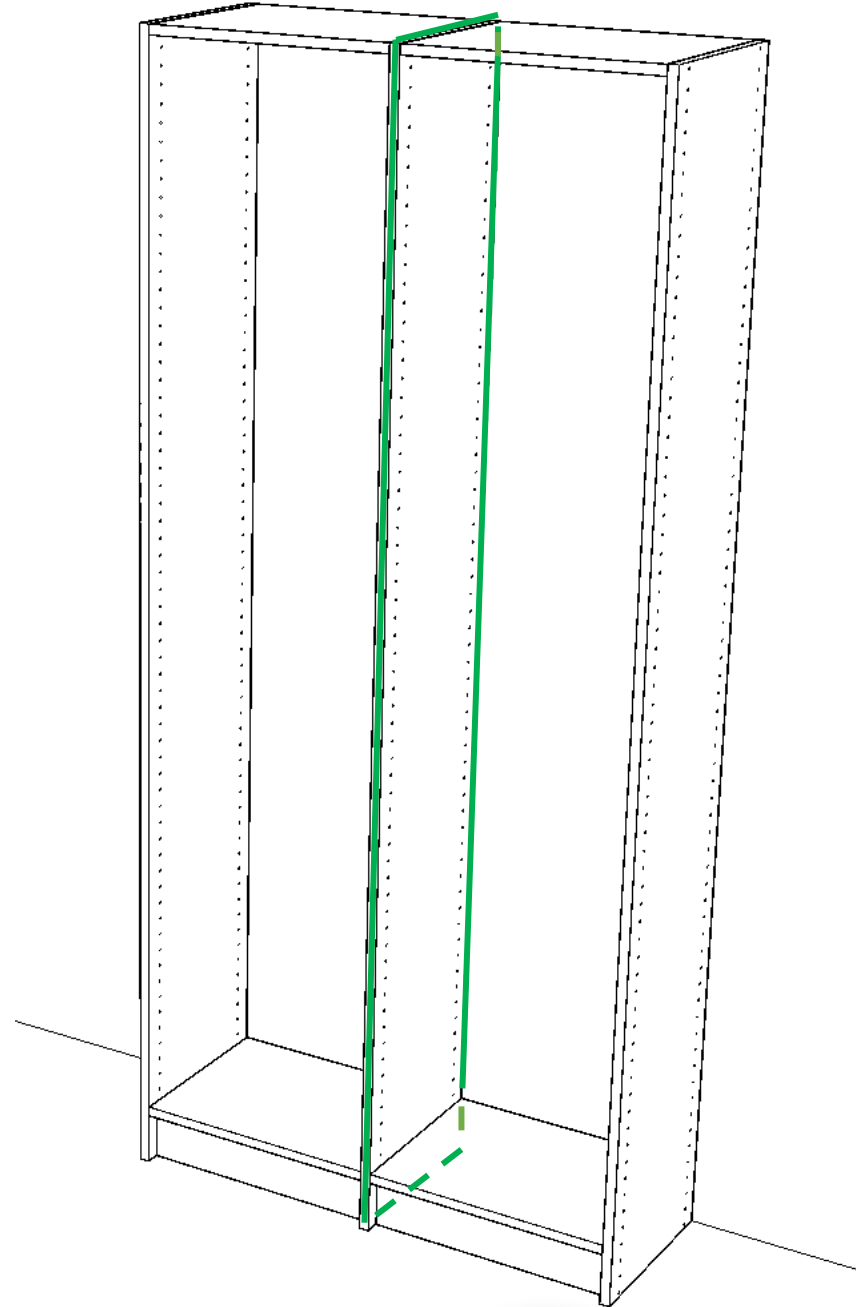
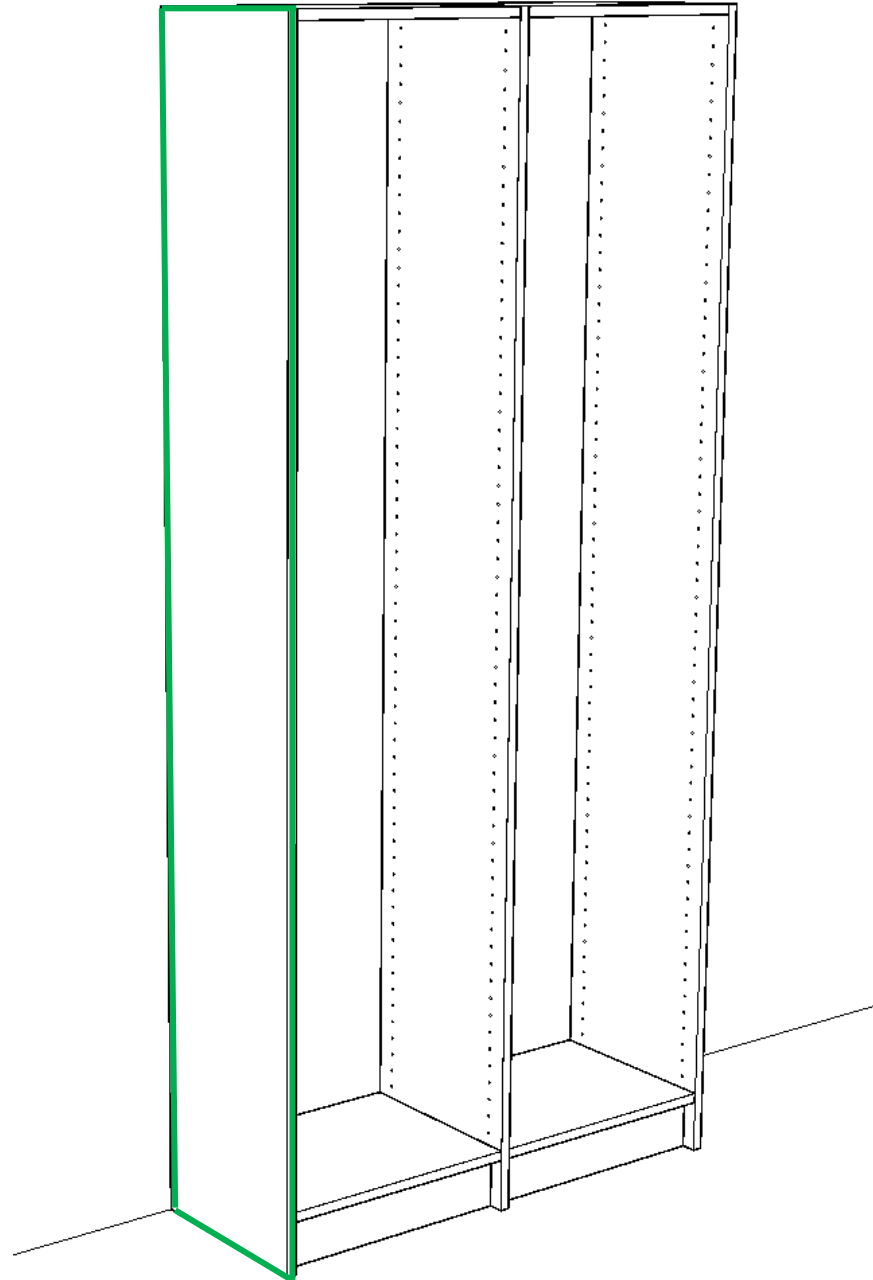


# Panels



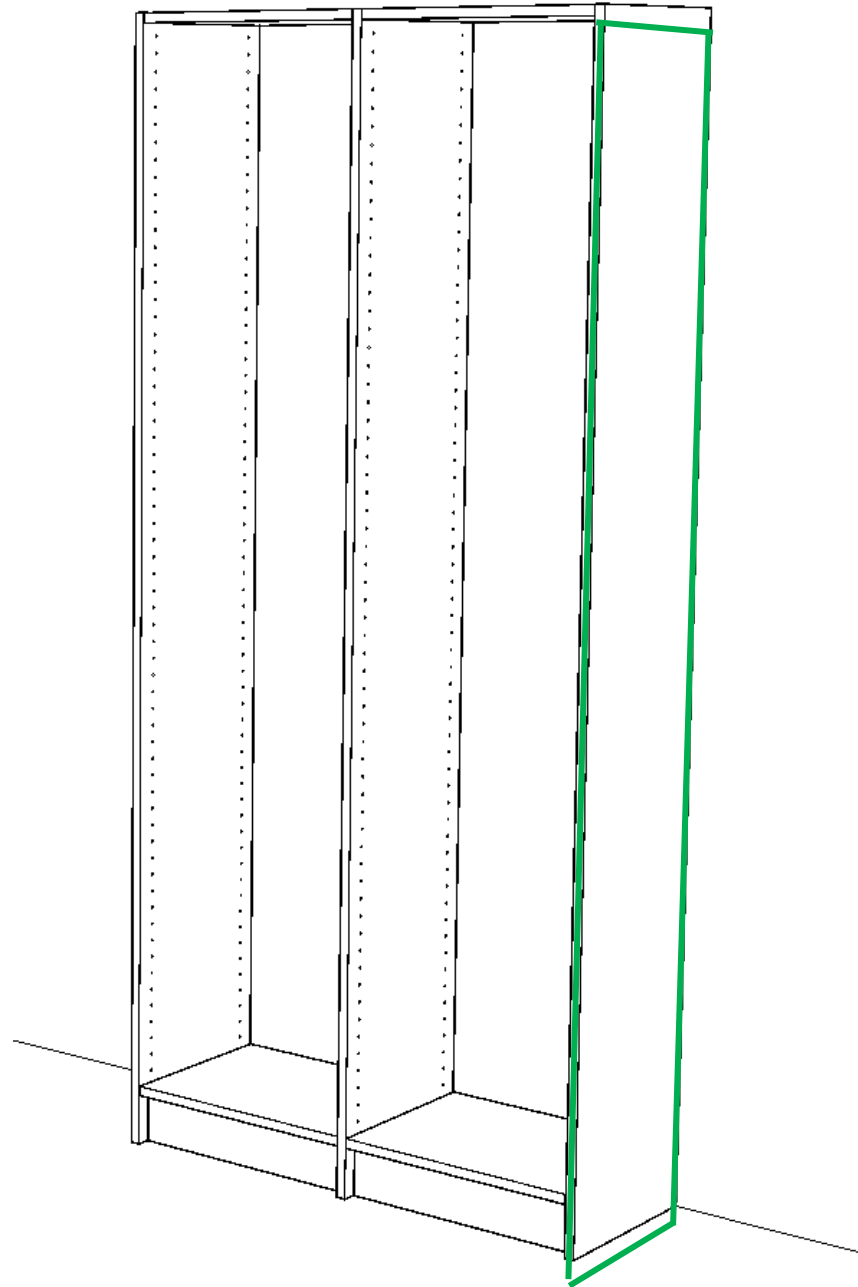
## Panel Full Drill (PNLF)

\*Drilled fully through\*



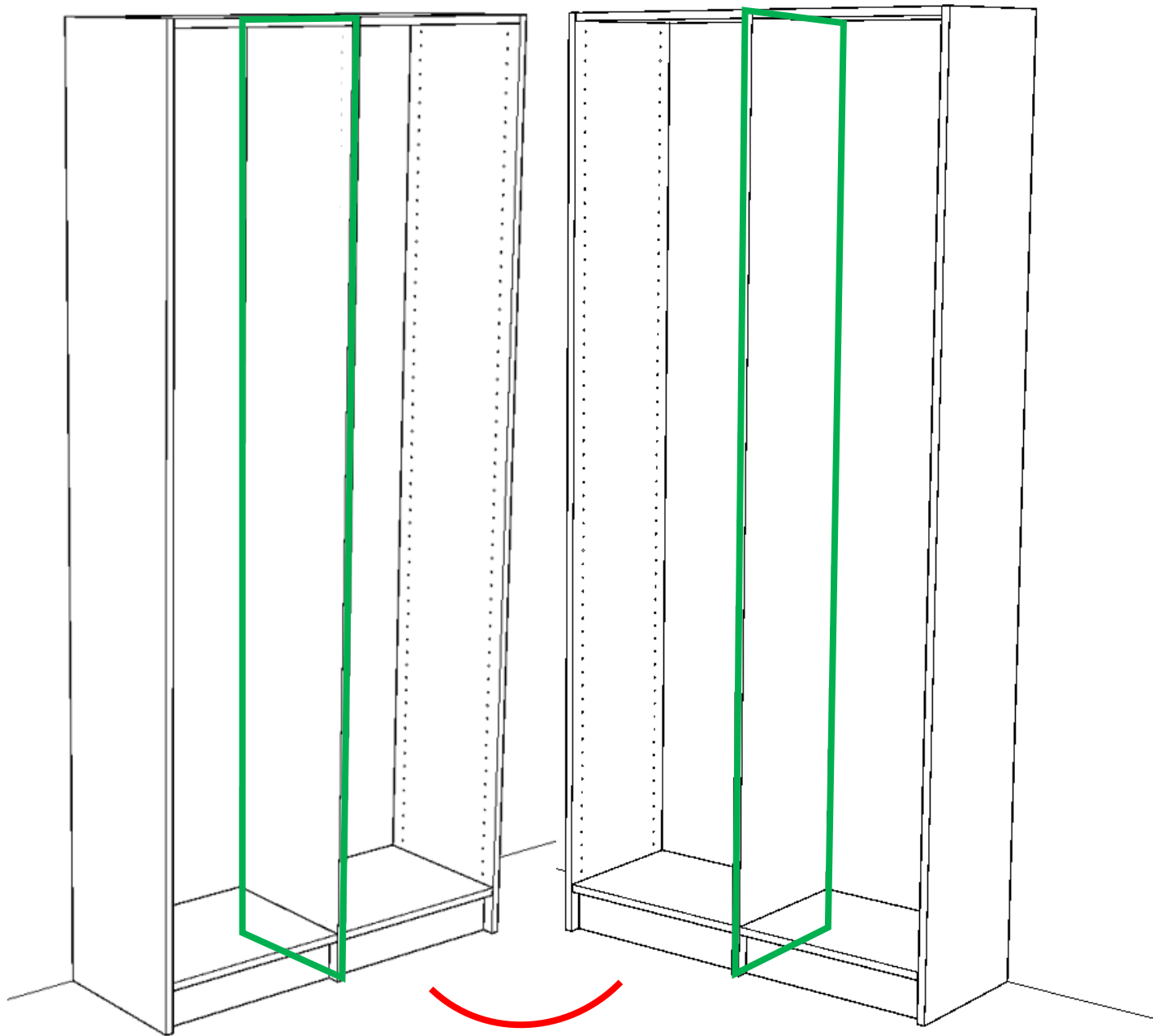
## Panel Left (PNLL)

\*Drilled only on the Right\*



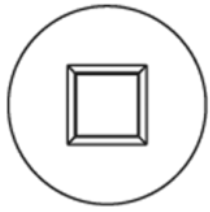
## Panel Right (PNLR)

\*Drilled only on the Left\*



Panel No Drill  
(PNLN)  
\*Not Drilled\*

# Wall Panels

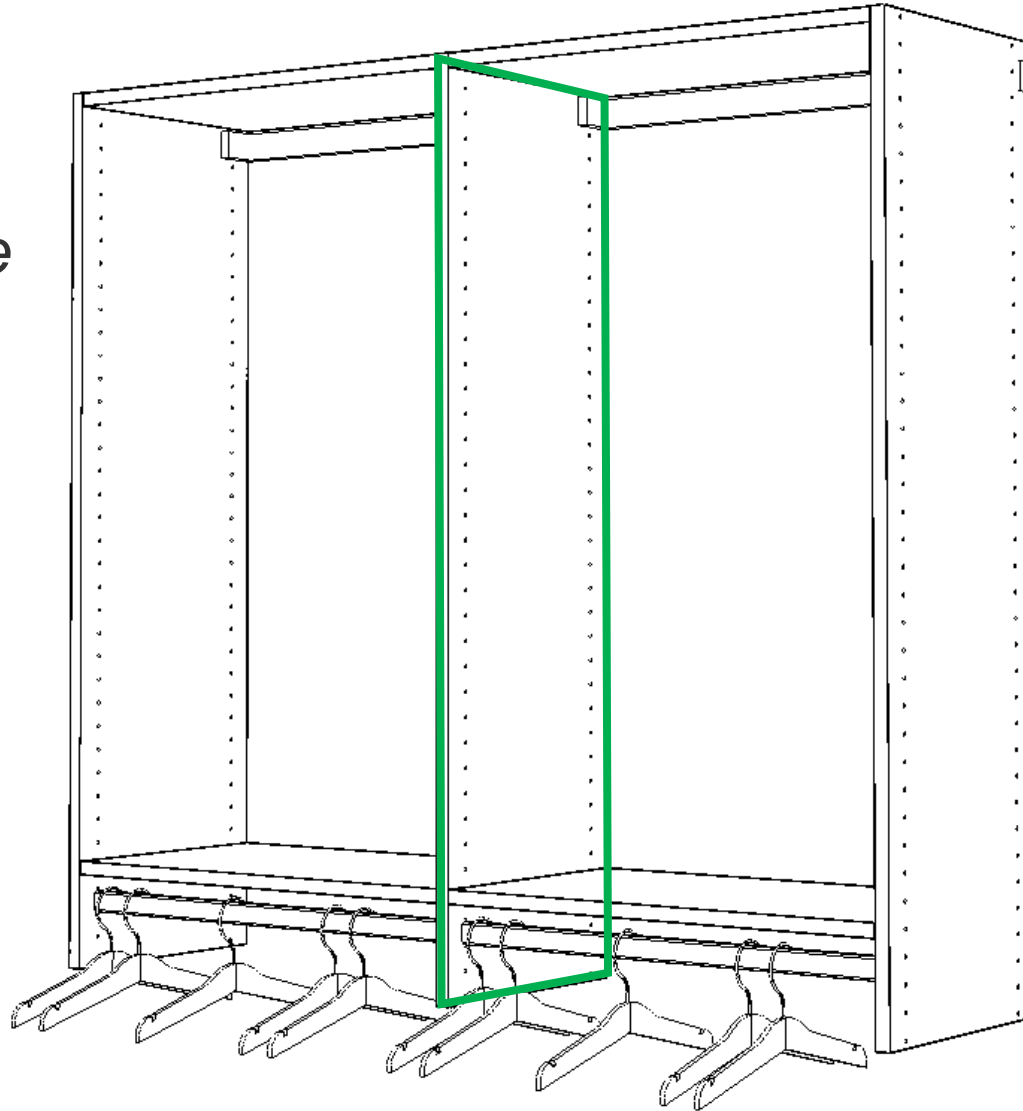


x6

#8 x 2 1/2 #2 Drive  
M-R20-1779  
Or Similar

# Wall Panel Full (WPNFLF)

\*Drilled fully through\*



X1 (Right)  
H.290.02.710  
X1 (Left)  
H.290.02.711



X1 (Right)  
H.290.02.780  
X1 (Left)  
H.290.02.781



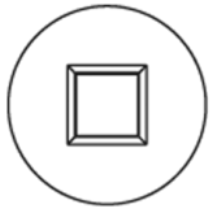
X1 H.290.11.901



X1 H.290.12.781

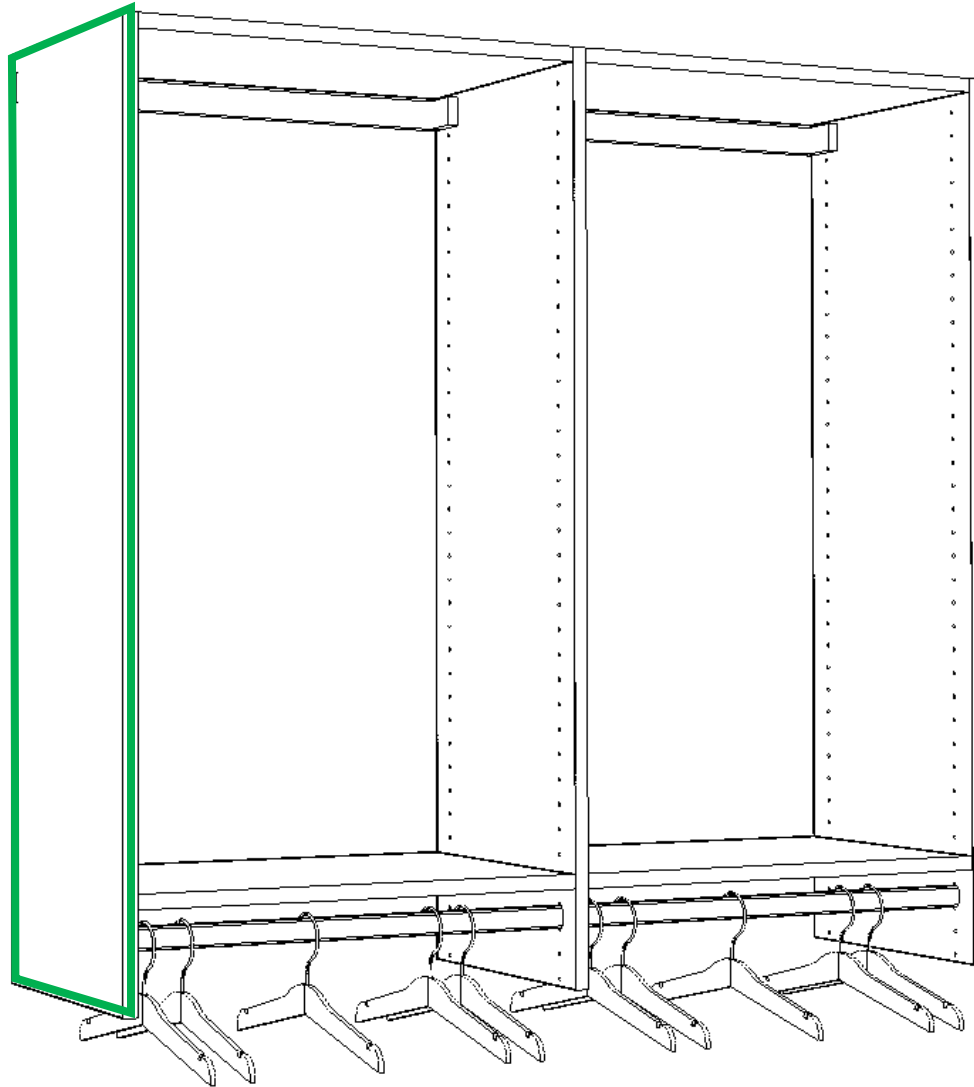


X2 M-06-7000



x3

#8 x 2 1/2 #2 Drive  
M-R20-1779  
Or Similar



Wall Panel Left  
(WPNLL)

\*Drilled only on the Right\*



x1 (Left)  
H.290.02.711



x1 (Left)  
H.290.02.781



x1 H.290.11.901

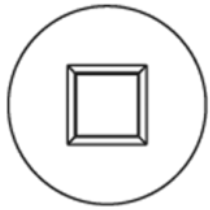


x1 H.290.12.781



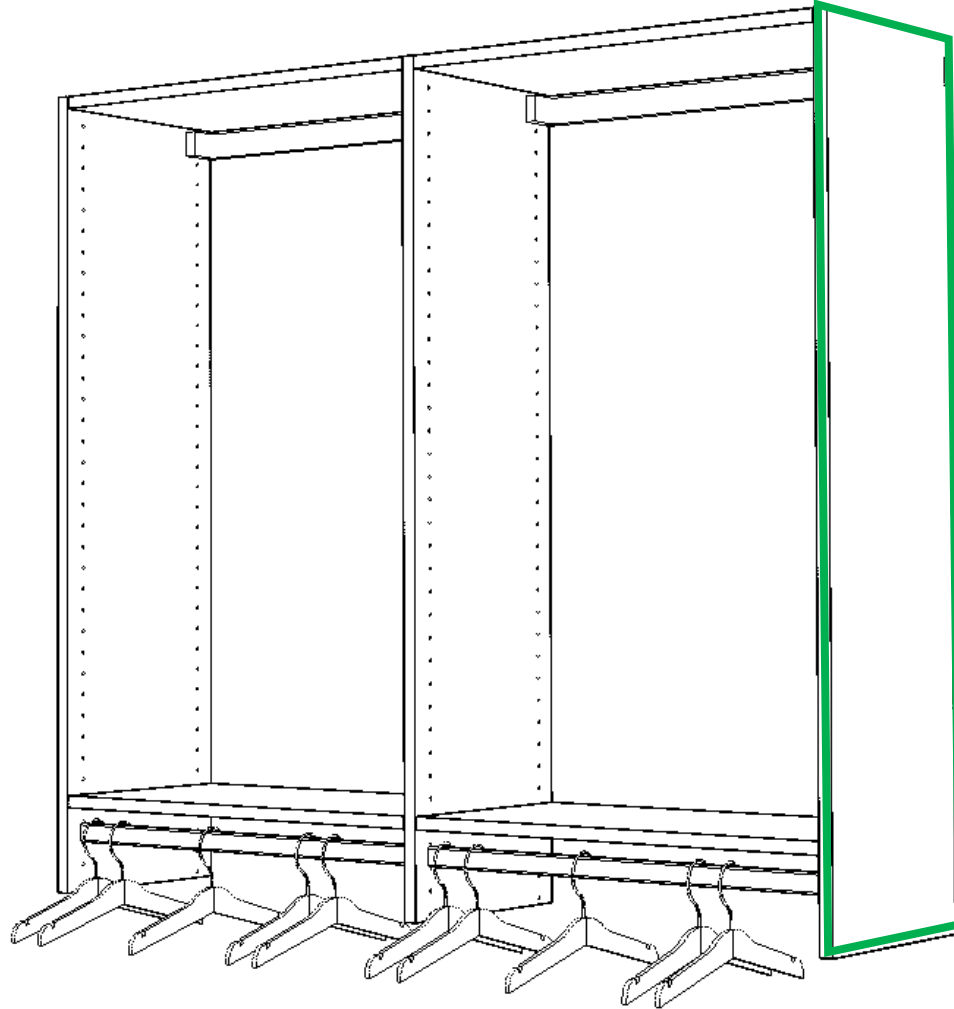
x2 M-06-7000





x3

#8 x 2 1/2 #2 Drive  
M-R20-1779  
Or Similar



# Wall Panel Right (WPNLR)

\*Drilled only on the Left\*



x1 (Right)  
H.290.02.710



x1 (Right)  
H.290.02.780



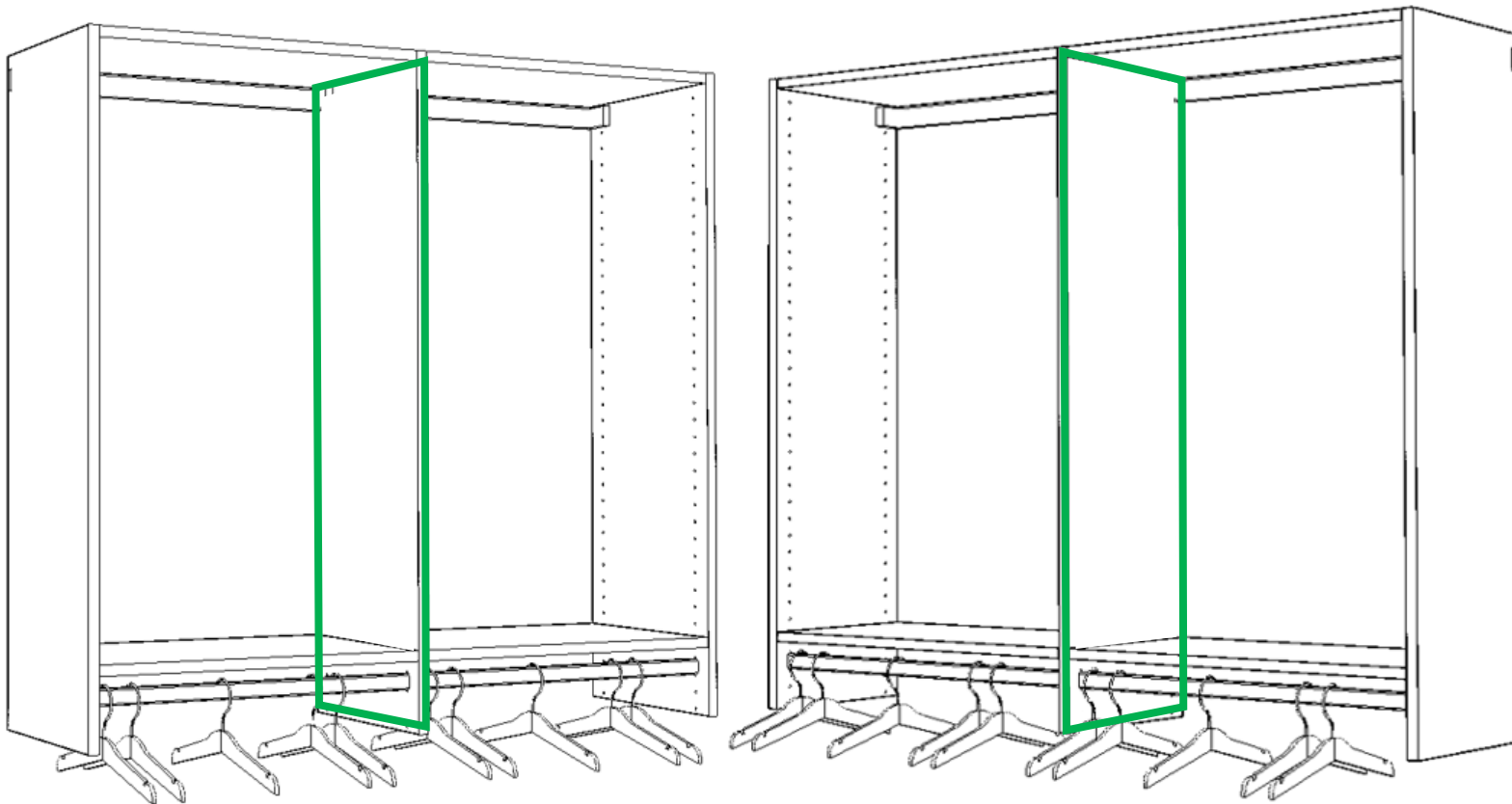
x1 H.290.11.901



x1 H.290.12.781



x2 M-06-7000



**X1 (Right)**  
**H.290.02.710**  
**X1 (Left)**  
**H.290.02.711**



**X1 (Right)**  
**H.290.02.780**  
**X1 (Left)**  
**H.290.02.781**



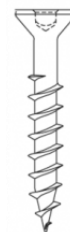
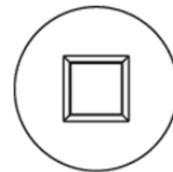
**X1 H.290.11.901**



**X1 H.290.12.781**



**X2 M-06-7000**



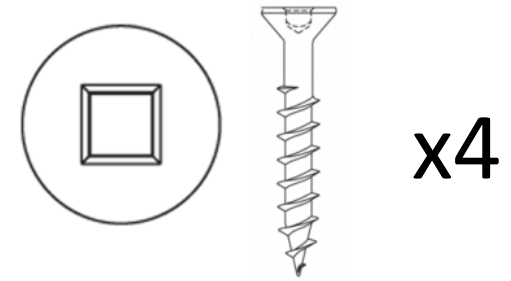
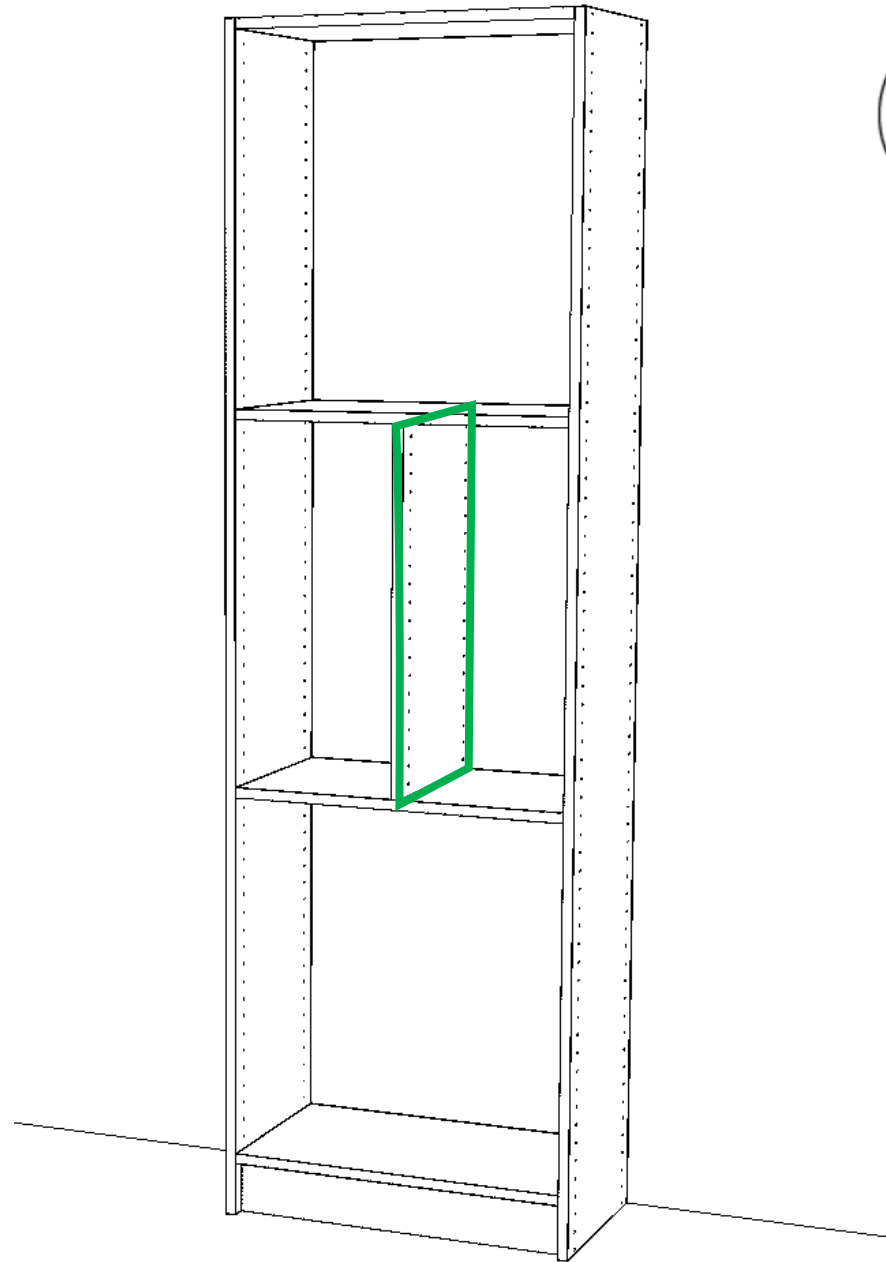
**x6**

**#8 x 2 1/2 #2 Drive**  
**M-R20-1779**  
**Or Similar**

# Wall Panel No Drill (WPNLN)

*\*Not Drilled\**

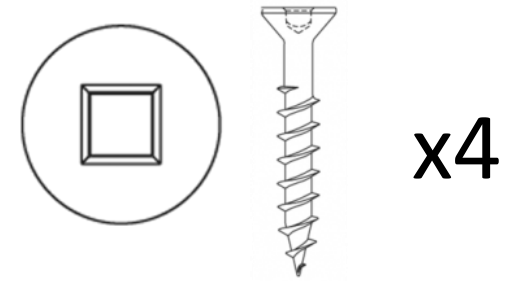
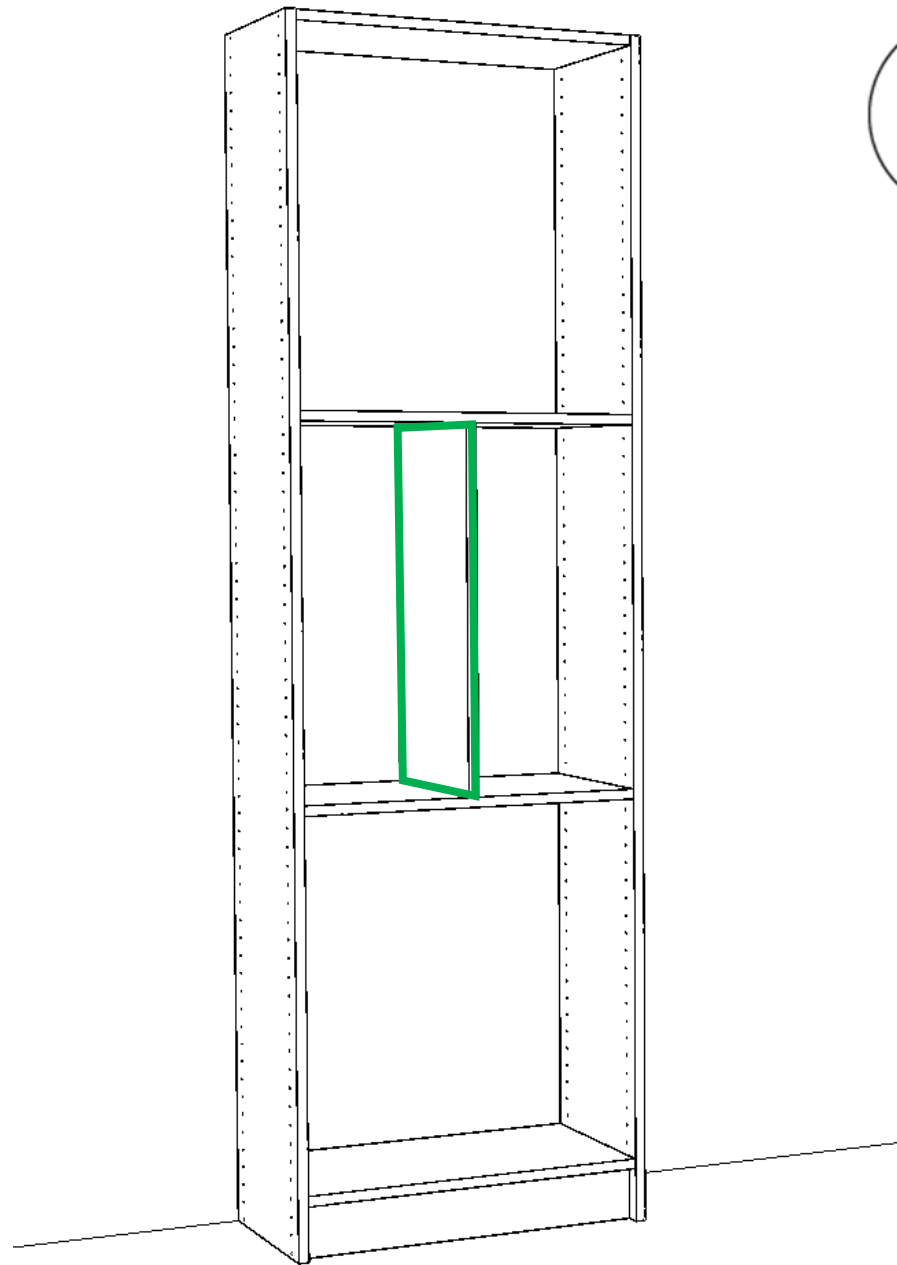
# Dividers



#8 x 1 1/4 #2 Drive  
M-R20-1765  
Or Similar

Divider Full Drill  
(DIVF)

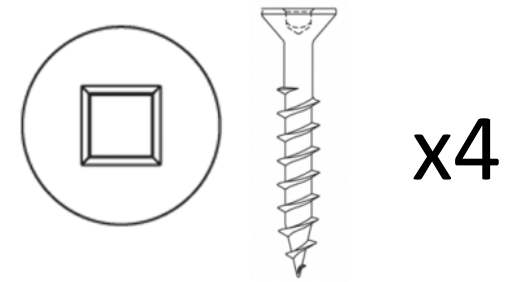
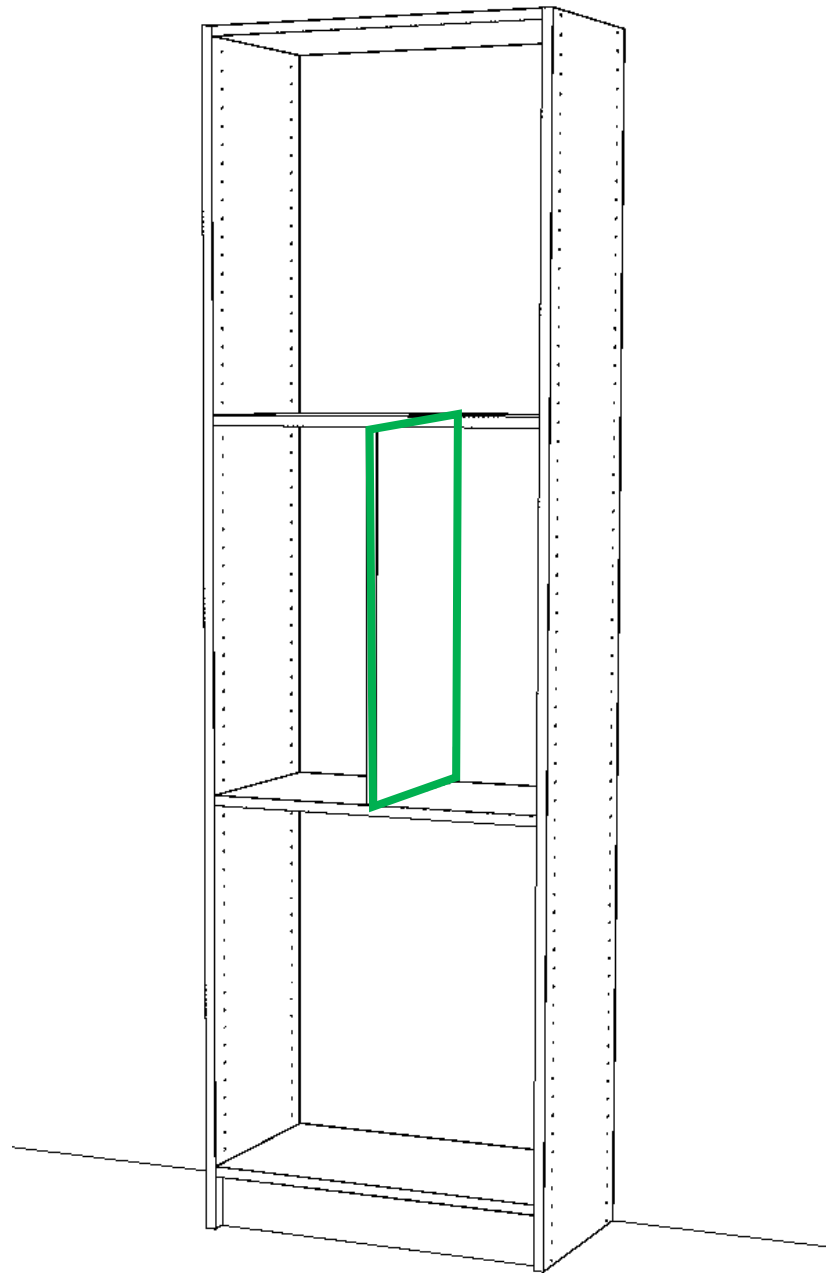
\*Drilled fully through\*



#8 x 1 1/4 #2 Drive  
M-R20-1765  
Or Similar

Divider Left  
(DIVL)

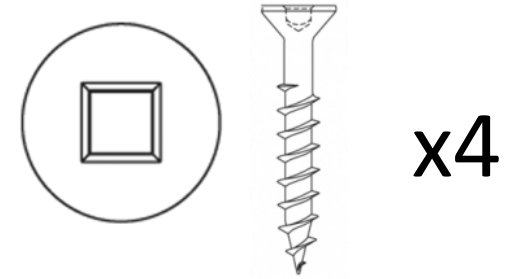
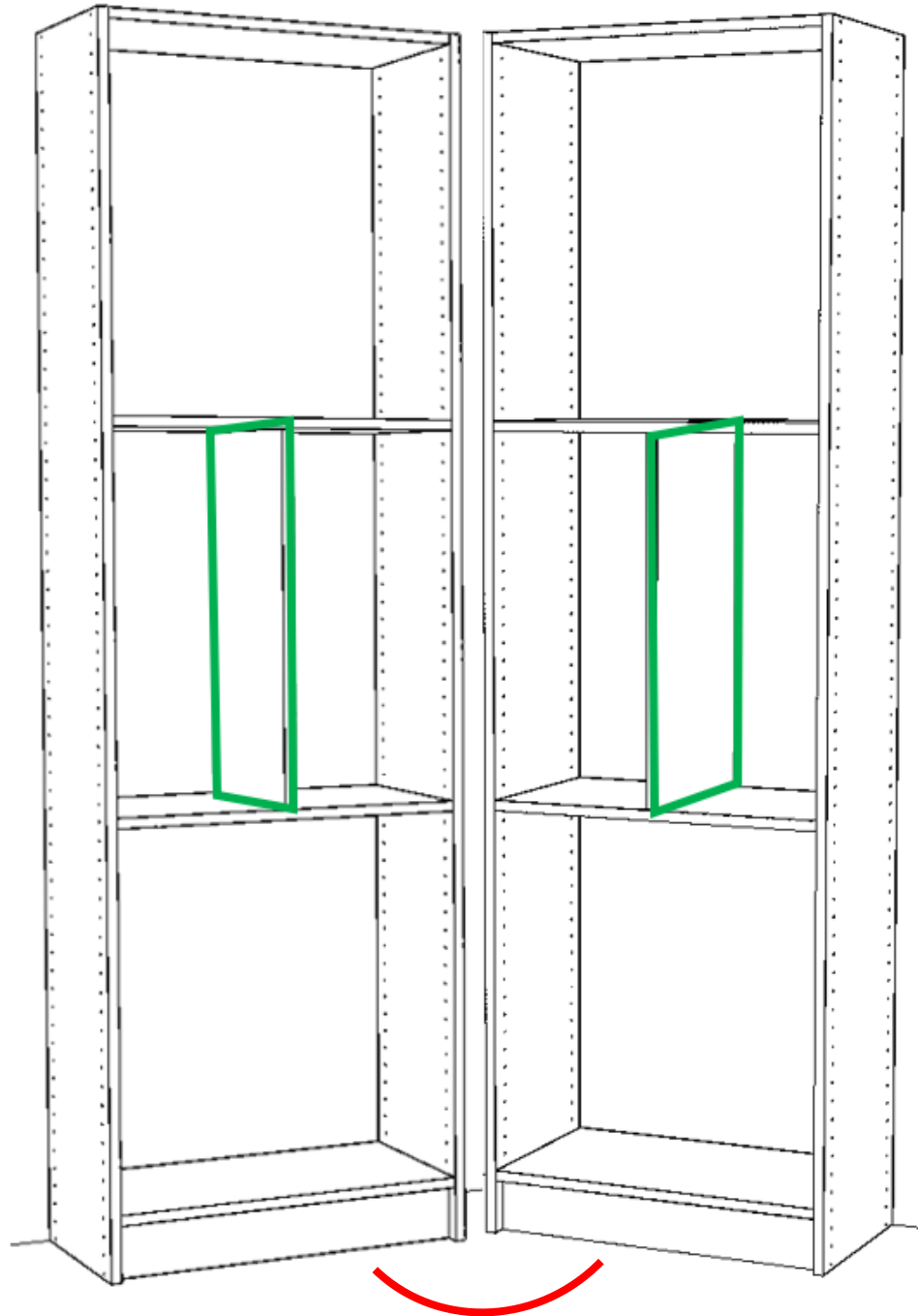
\*Drilled only on the Right\*



#8 x 1 1/4 #2 Drive  
M-R20-1765  
Or Similar

Divider Right  
(DIVR)

\*Drilled only on the Left\*

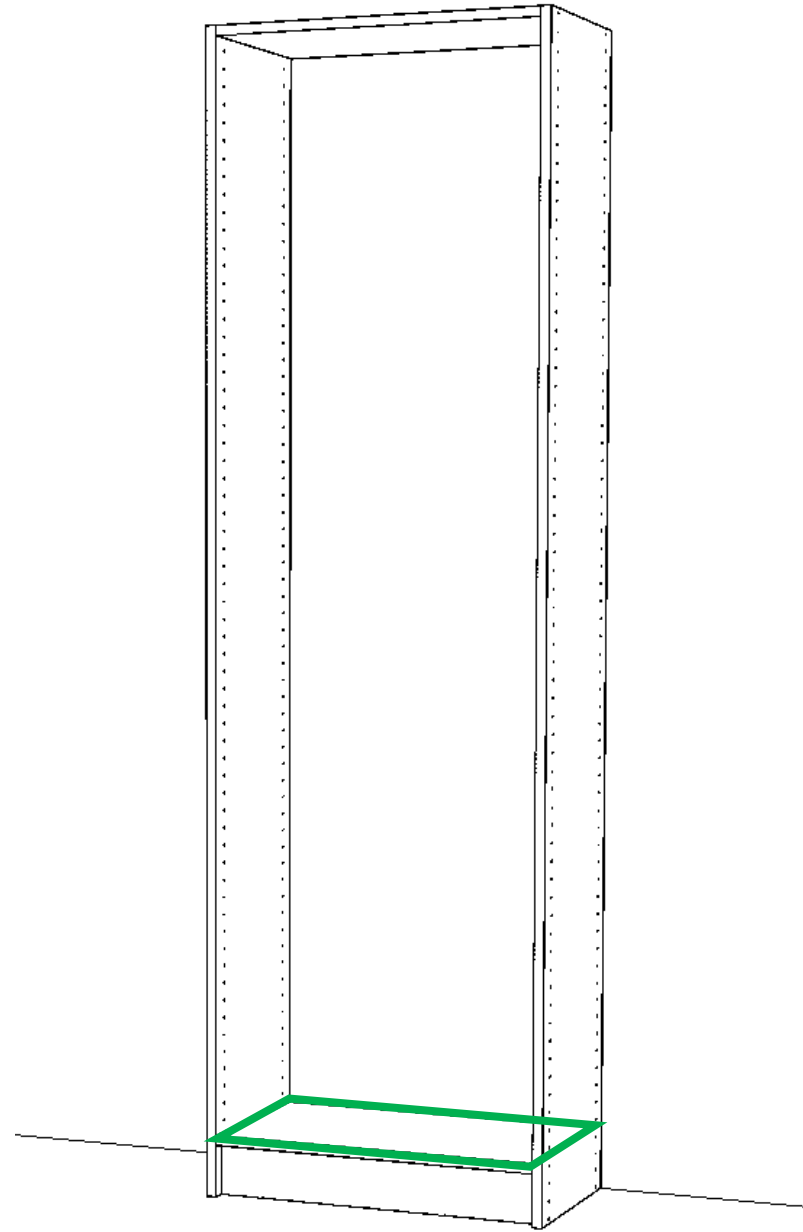


#8 x 1 1/4 #2 Drive  
M-R20-1765  
Or Similar

Divider No Drill  
(DIVN)  
\*Not Drilled\*

# Shelves





X4 H.263.50.705



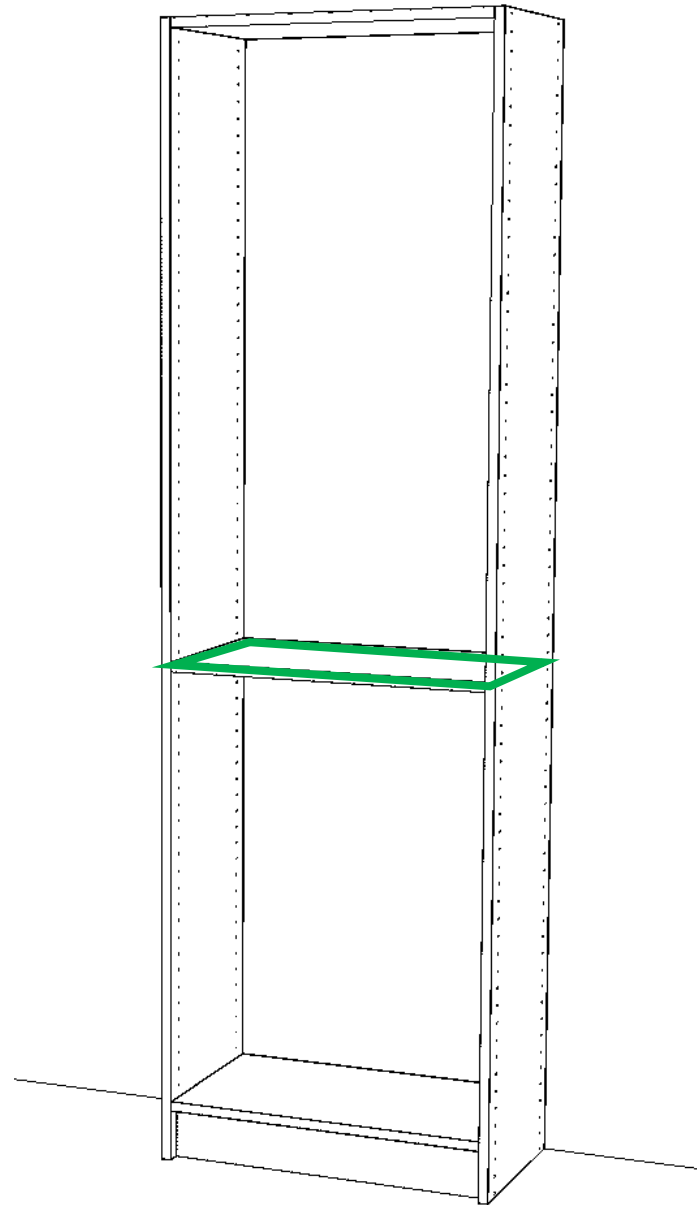
X4 H.263.20.985

If sharing a panel use:



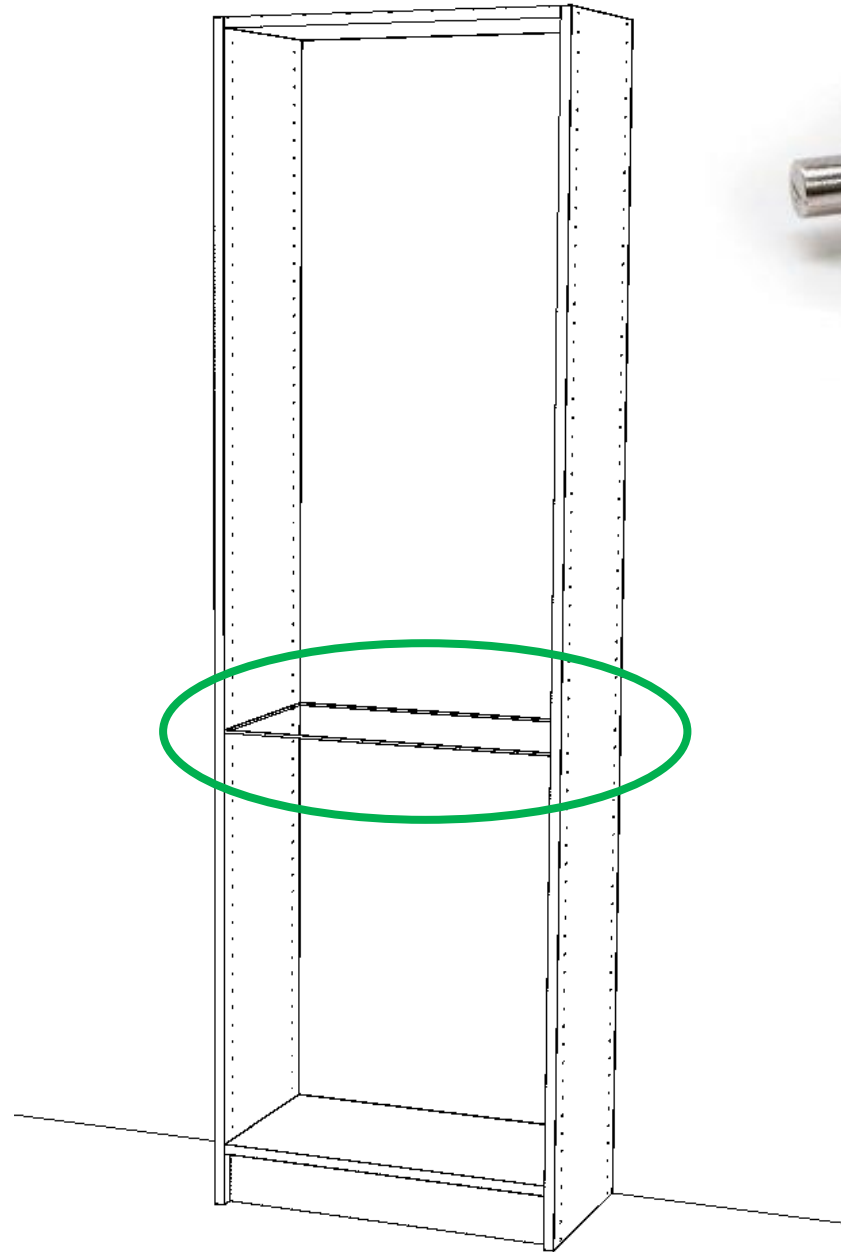
X4 H.263.24.972

Fixed Shelf  
(SHFF)



**X4** M-03-2415

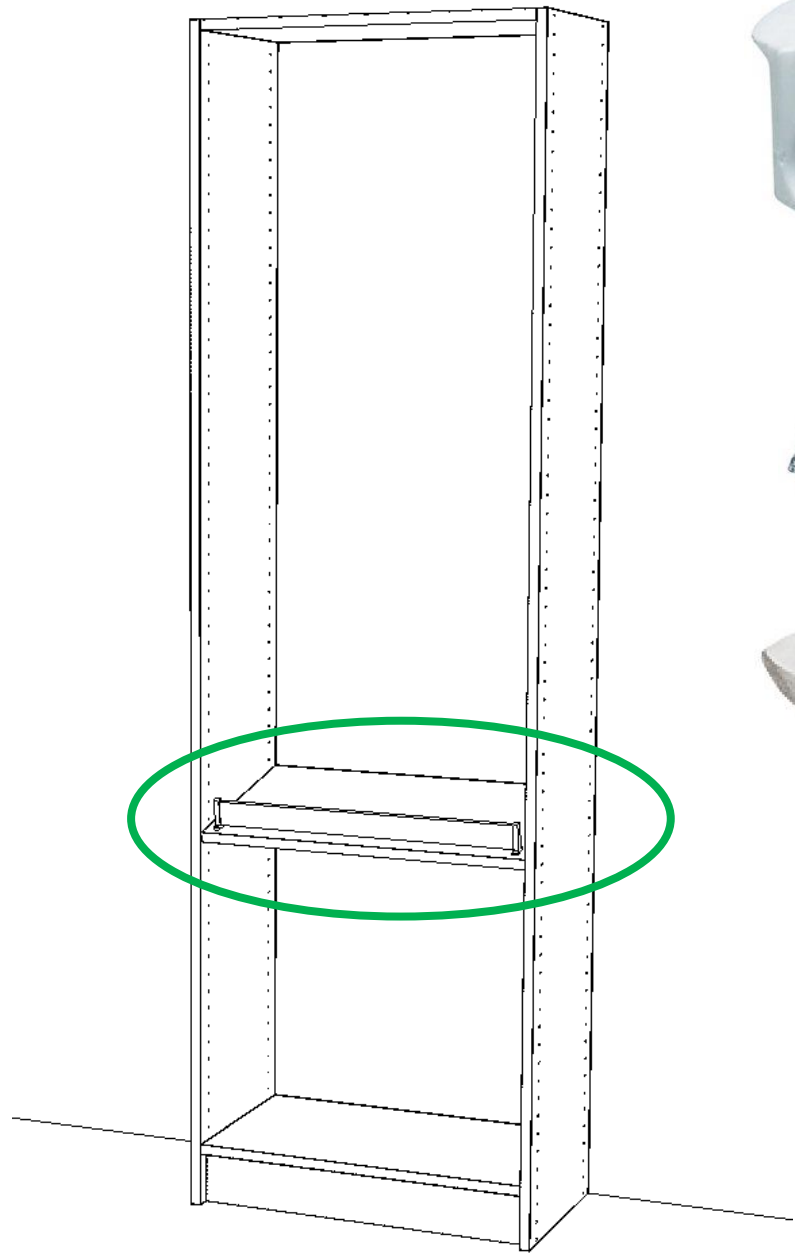
**Adjustable Shelf  
(SHFA)**



X4 M-03-2415

Glass Shelf  
(GLSHFA)

# Fixed Shelf (SHFF)



**X4** H.263.50.705



**X2** H.263.20.985



**X2** M-03-2415



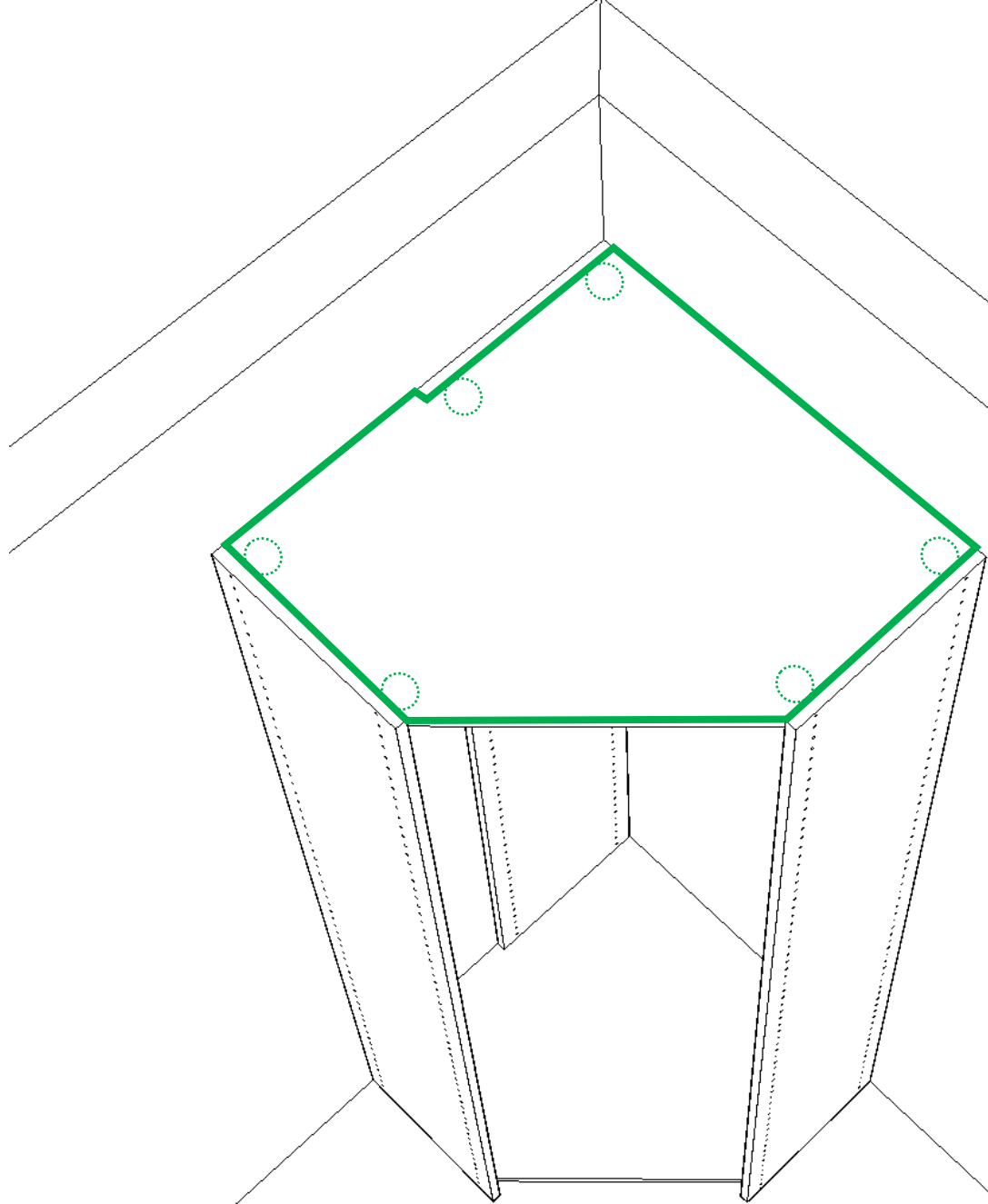
**X1** H.xxx.xx.xxx  
- Screws incl.



If sharing a panel use:

**X2** H.263.24.972

# Fixed Corner Shelves



**x6** H.263.50.705



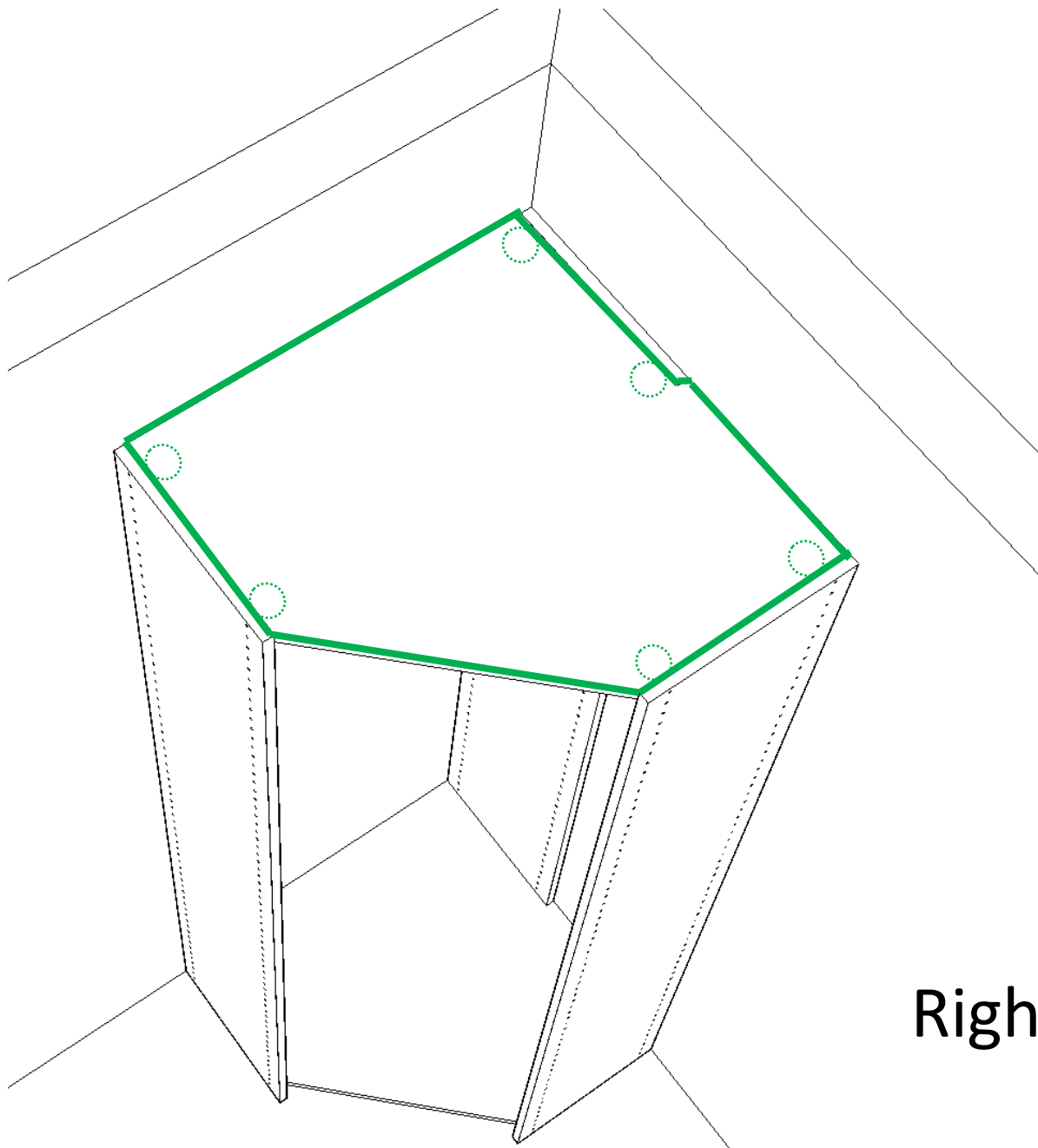
**x6** H.263.20.985

If sharing a panel use:



**x4** H.263.24.972

## Left Corner Shelf Fixed Angled (LCSHFFA)



**x6** H.263.50.705



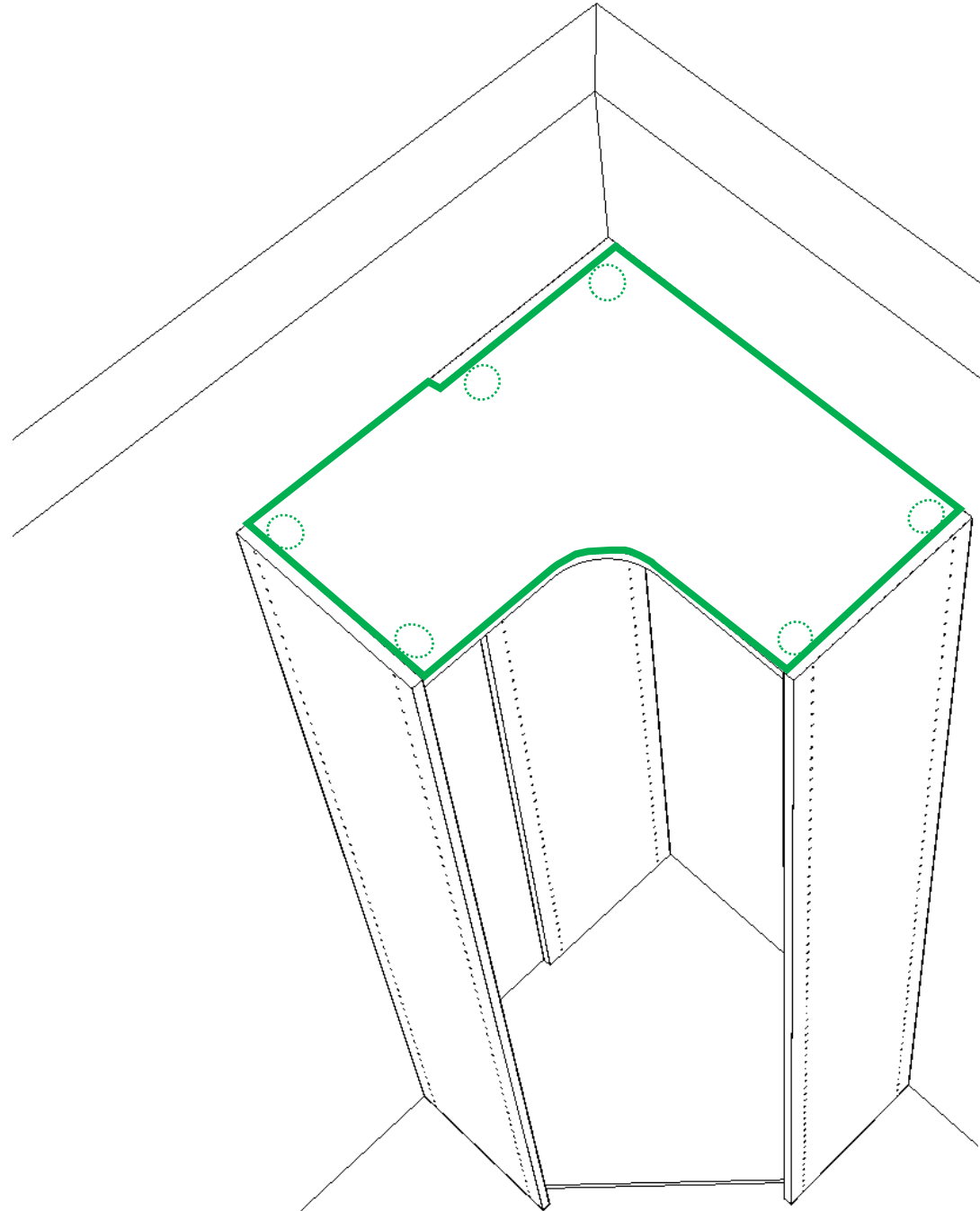
**x6** H.263.20.985

If sharing a panel use:



**x4** H.263.24.972

## Right Corner Shelf Fixed Angled (RCSHFFA)



**x6** H.263.50.705



**x6** H.263.20.985

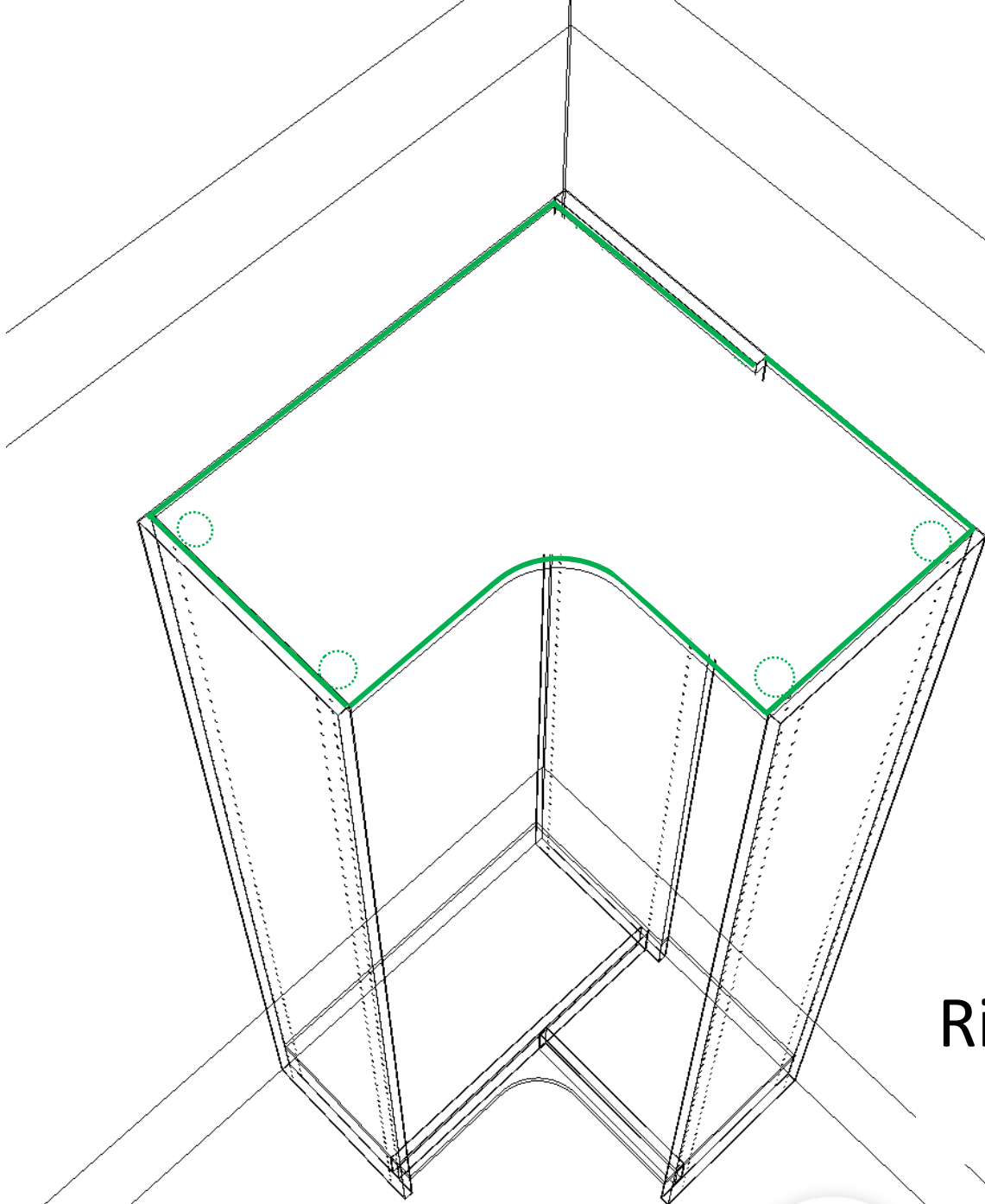
If sharing a panel use:



**x4** H.263.24.972

# Left Corner Shelf Fixed Radius (LCSHFFR)





**x6** H.263.50.705



**x6** H.263.20.985

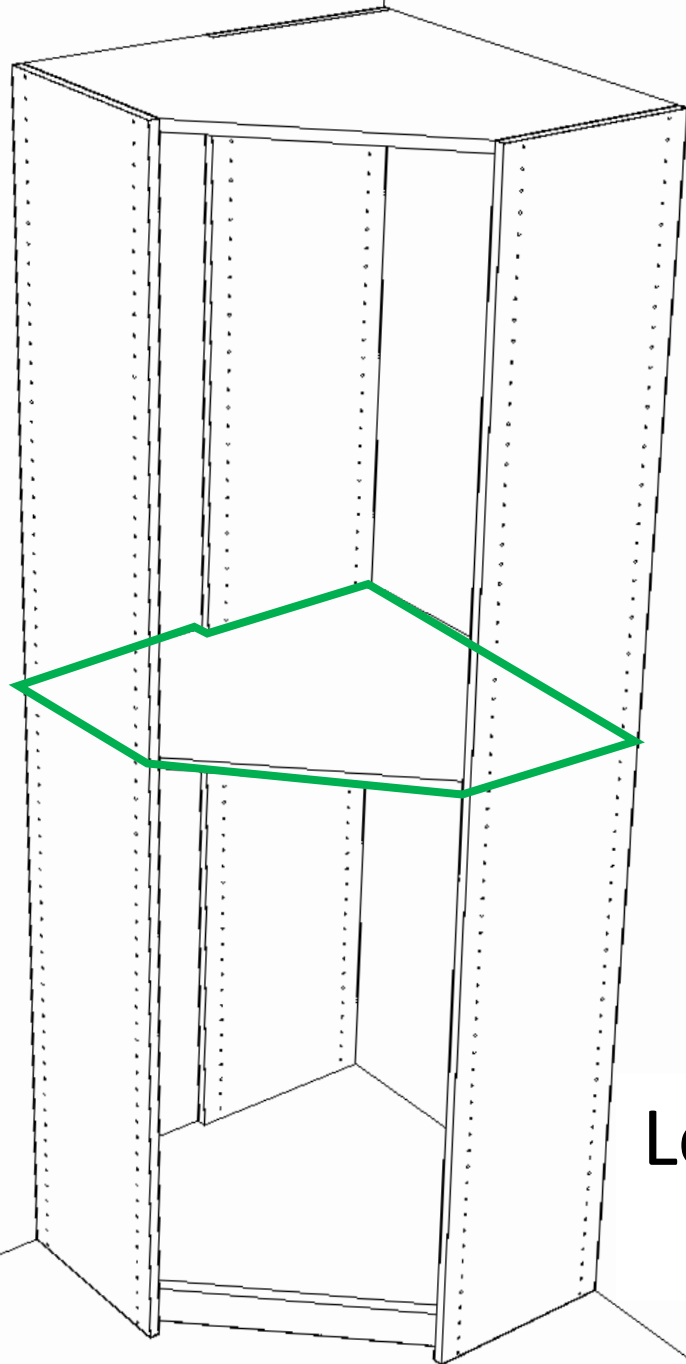
If sharing a panel use:



**x4** H.263.24.972

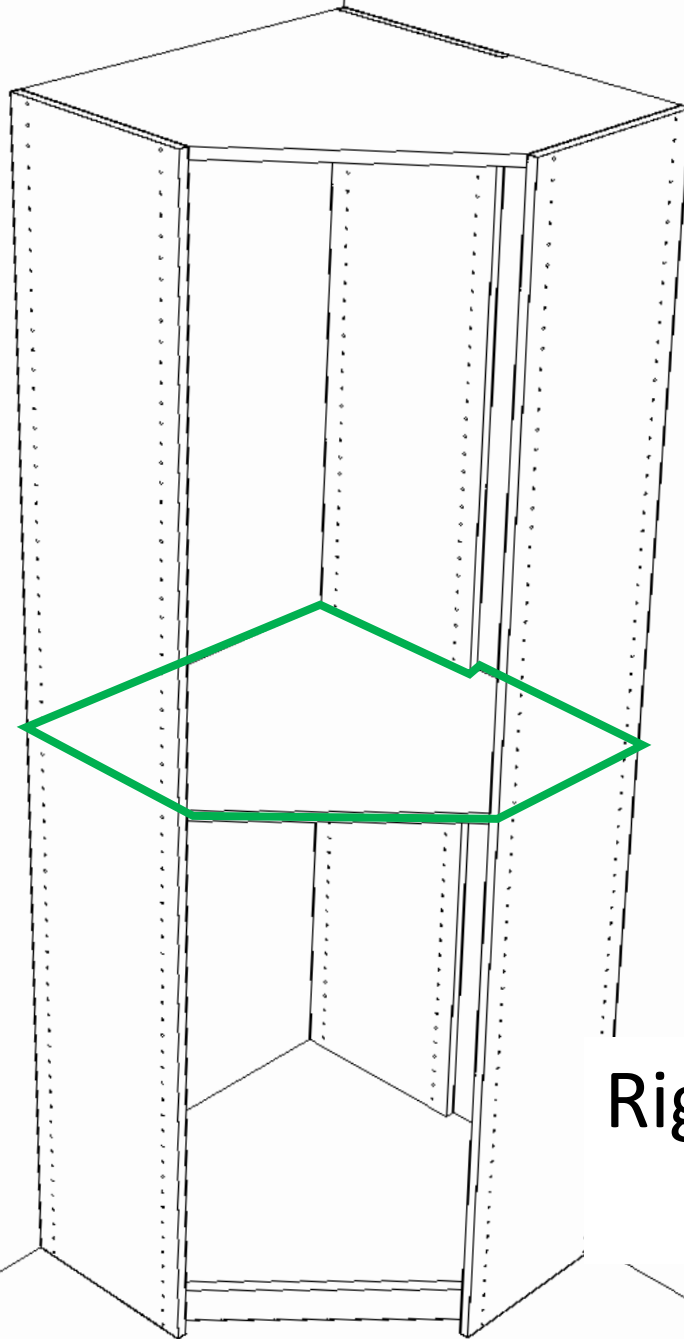
## Right Corner Shelf Fixed Radius (RCSHFFR)

# Adjustable Corner Shelves



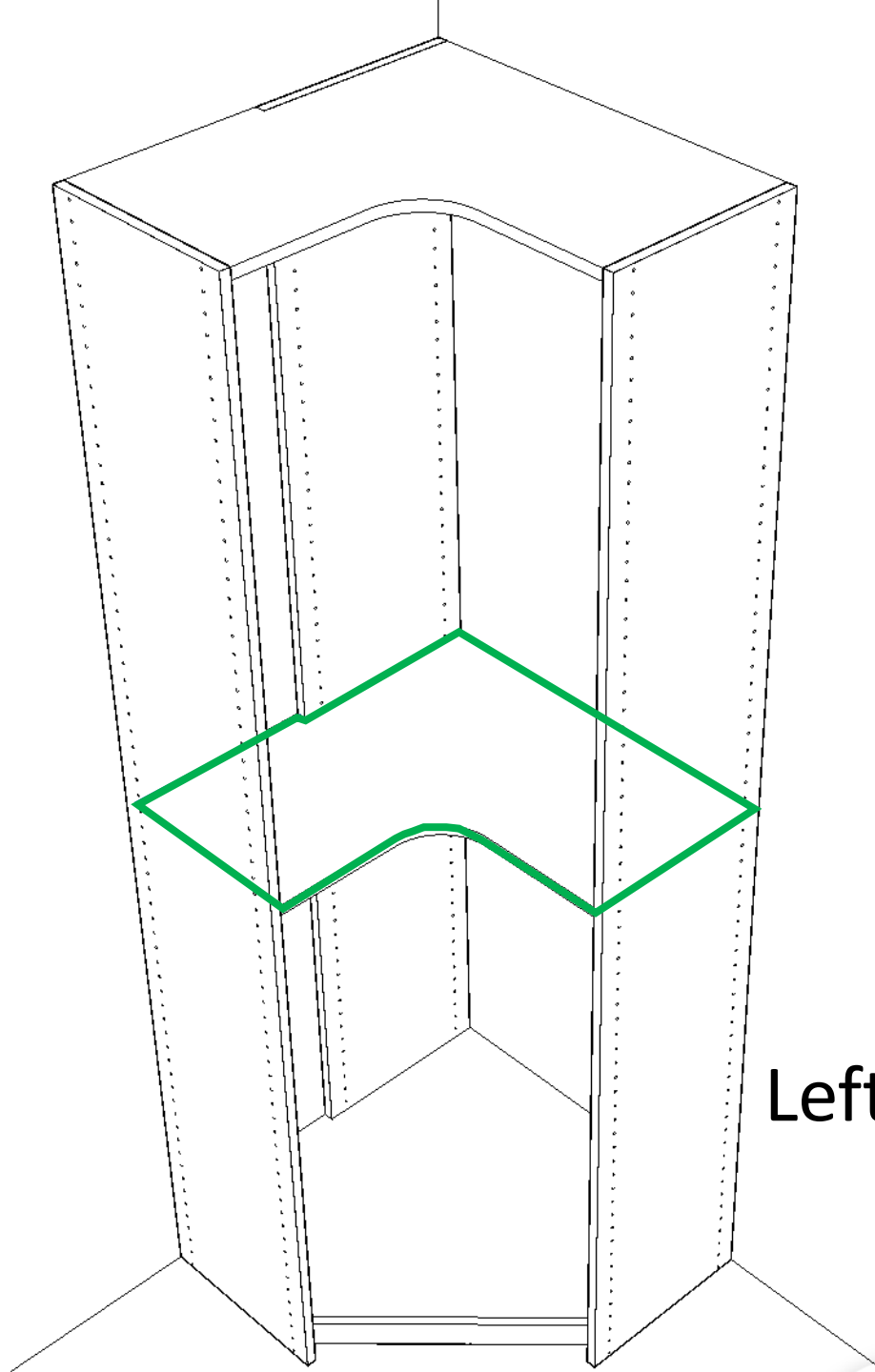
**x6** M-03-2415

**Left Corner Shelf Adjustable Angled  
(LCSHFAA)**



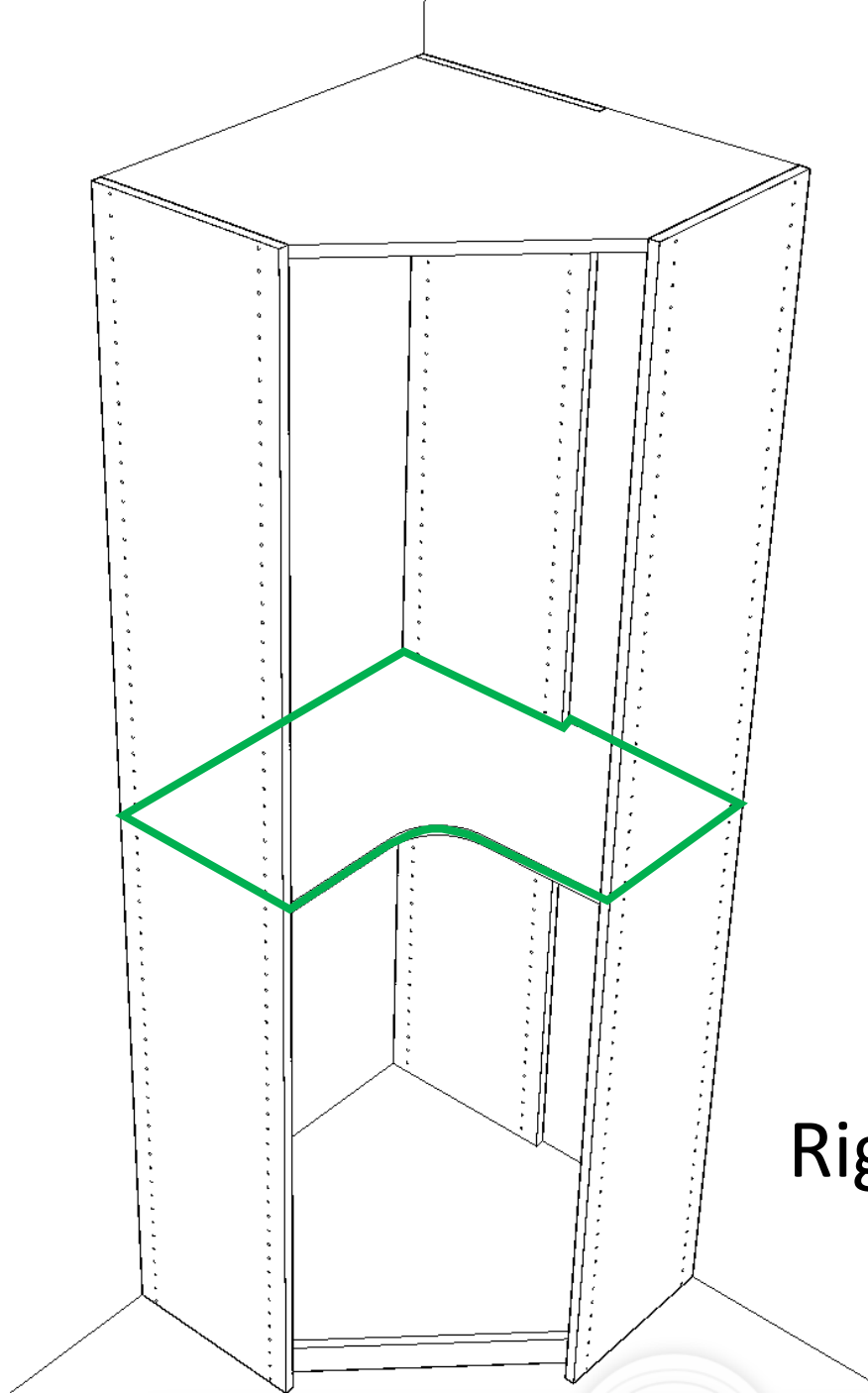
**x6** M-03-2415

**Right Corner Shelf Adjustable Angled  
(RCSHFAA)**



**x6** M-03-2415

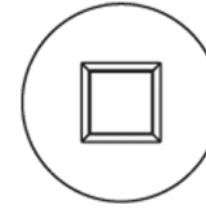
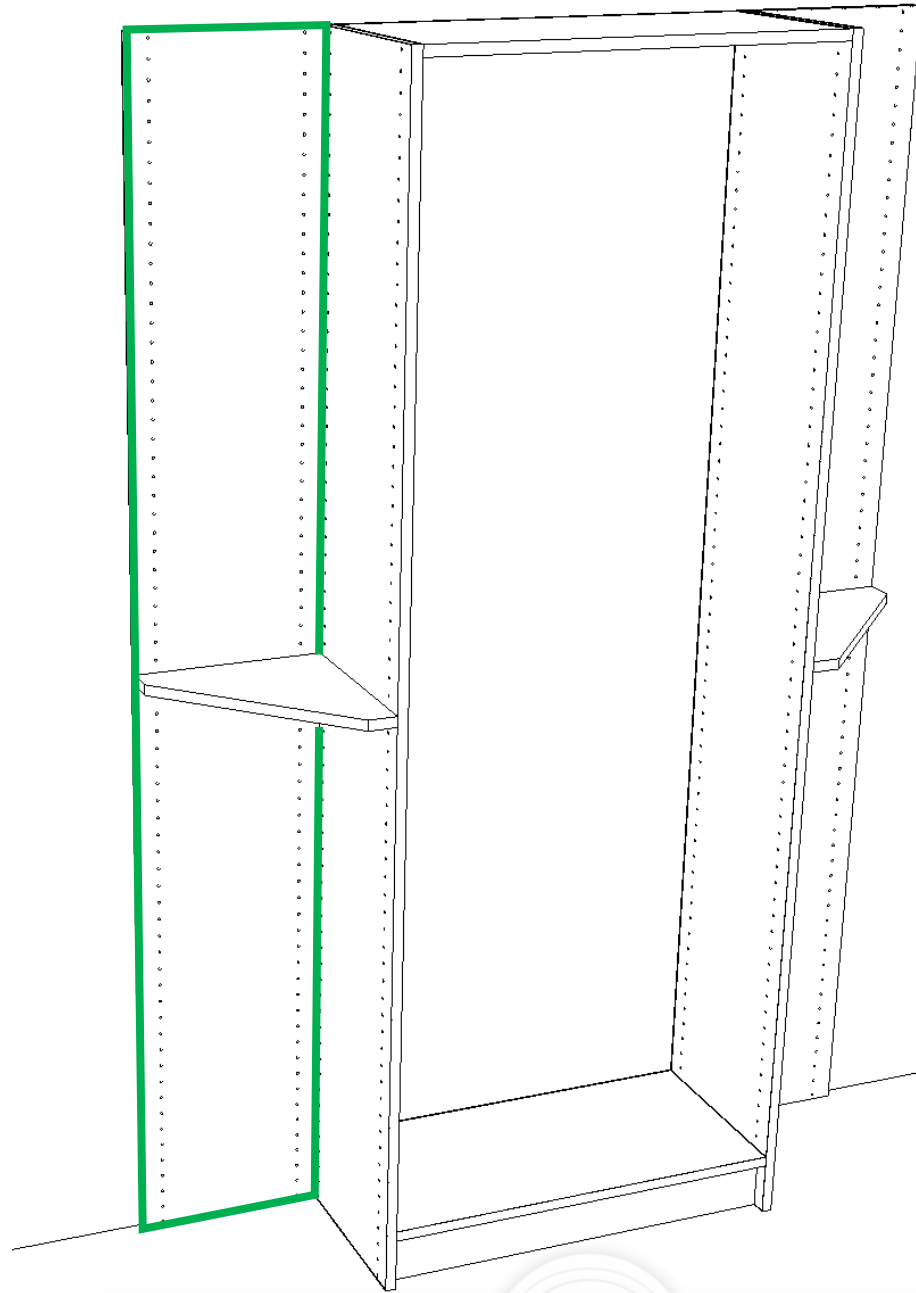
**Left Corner Shelf Adjustable Radius  
(LCSHFAR)**



**x6** M-03-2415

**Right Corner Shelf Adjustable Radius  
(RCSHFAR)**

# Outside Corner Modules/Shelves

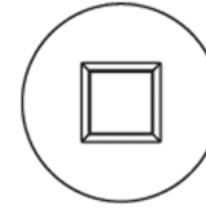
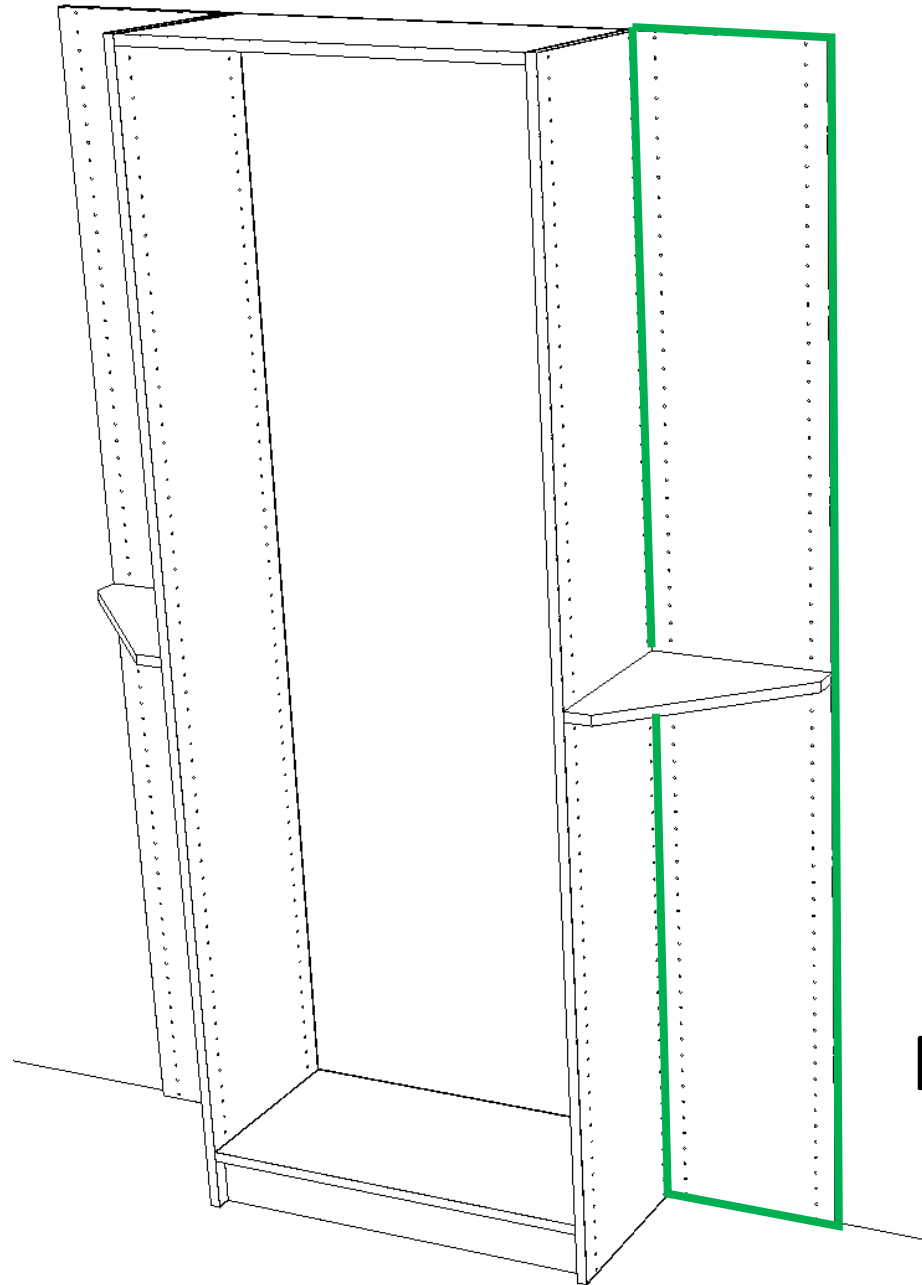


x5

#8 x 1 1/4 #2 Drive  
M-R20-1765  
Or Similar

Left Outside Corner Module  
(PNLF)

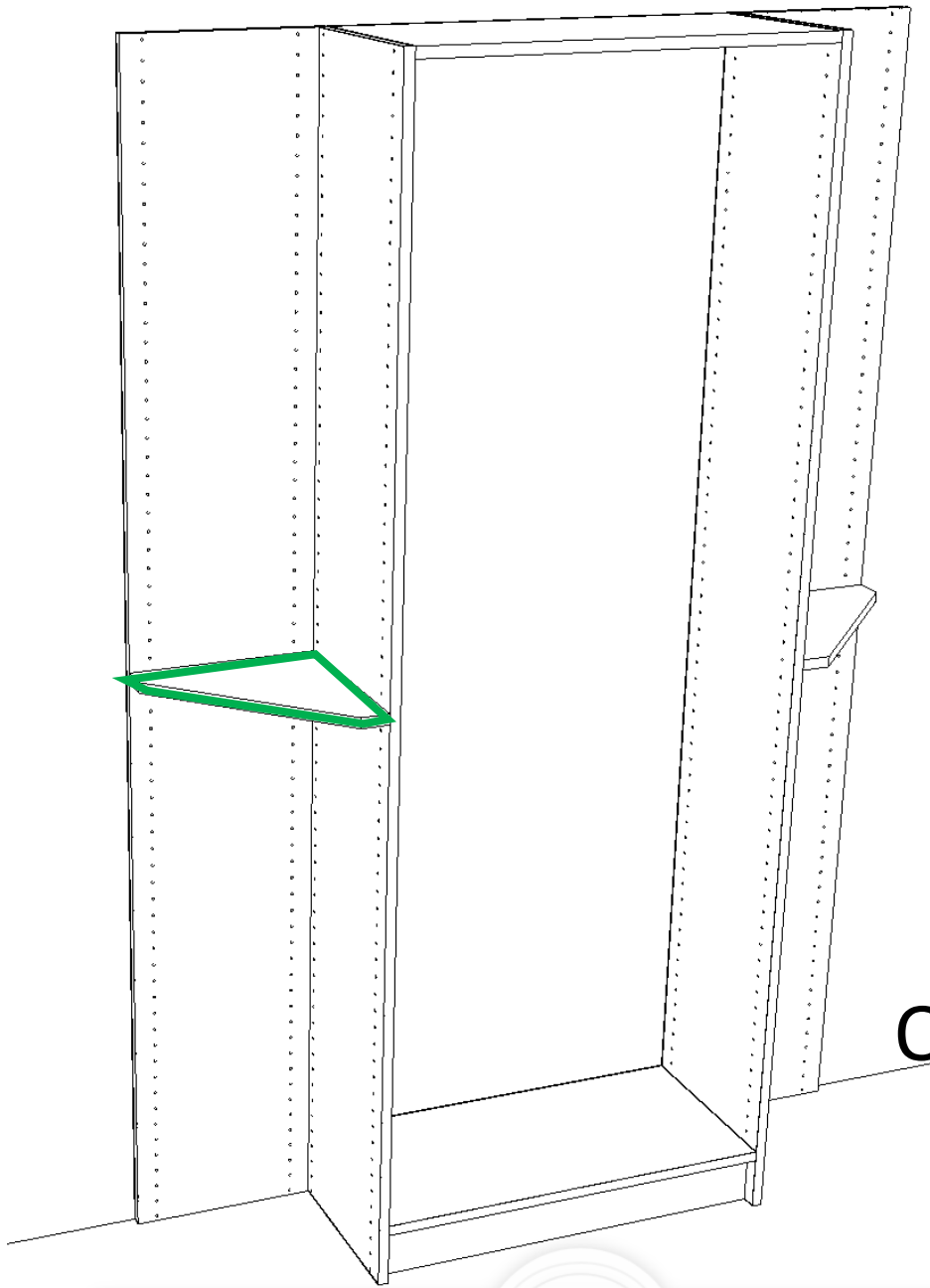




x5

#8 x 1 1/4 #2 Drive  
M-R20-1765  
Or Similar

Right Outside Corner Module  
(PNLF)



**X4** H.263.50.705



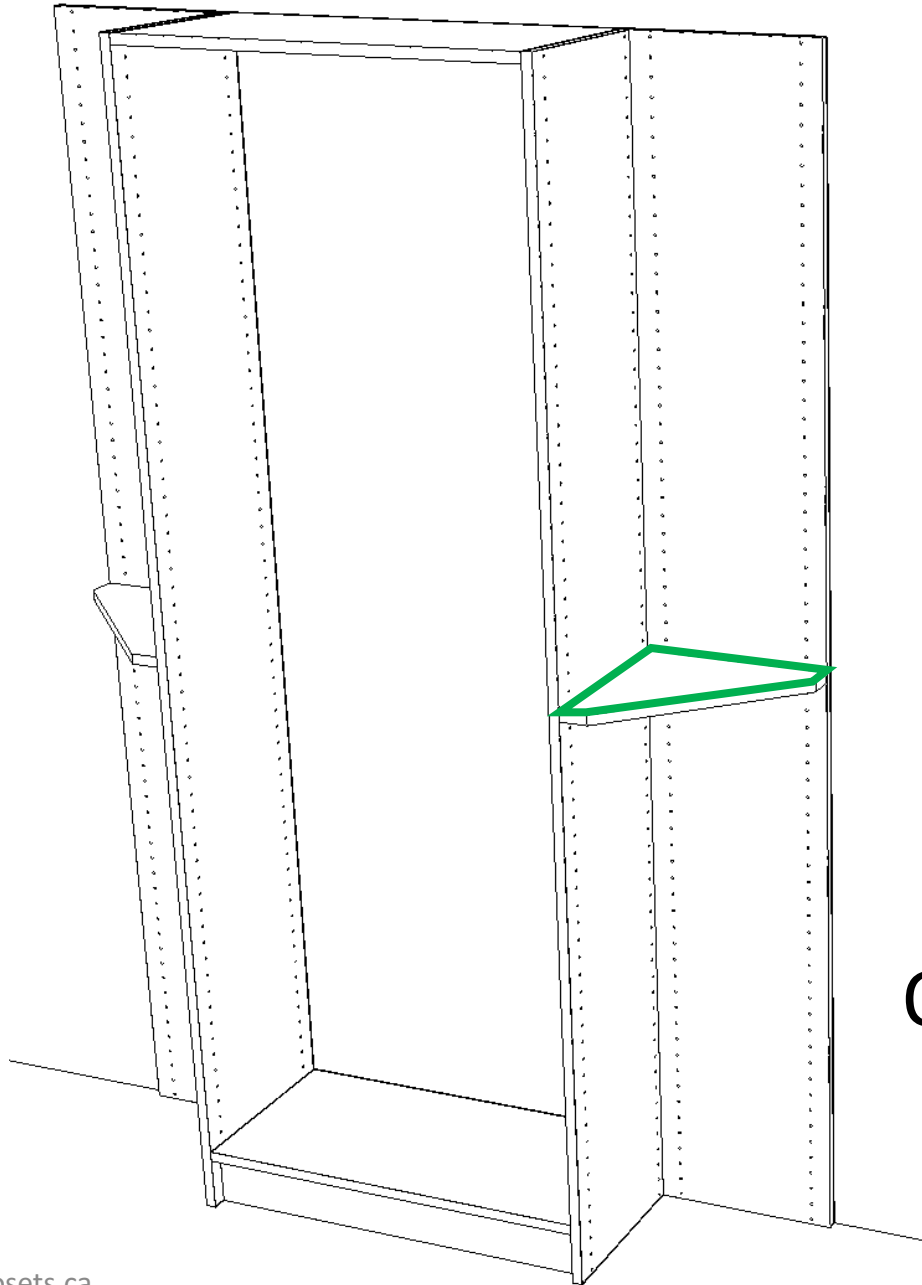
**X4** H.263.20.985

If sharing a panel use:



**X2** H.263.24.972

**Outside Left Corner Shelf Fixed Angled  
(ORCSHFFA)**



**X4** H.263.50.705



**X4** H.263.20.985

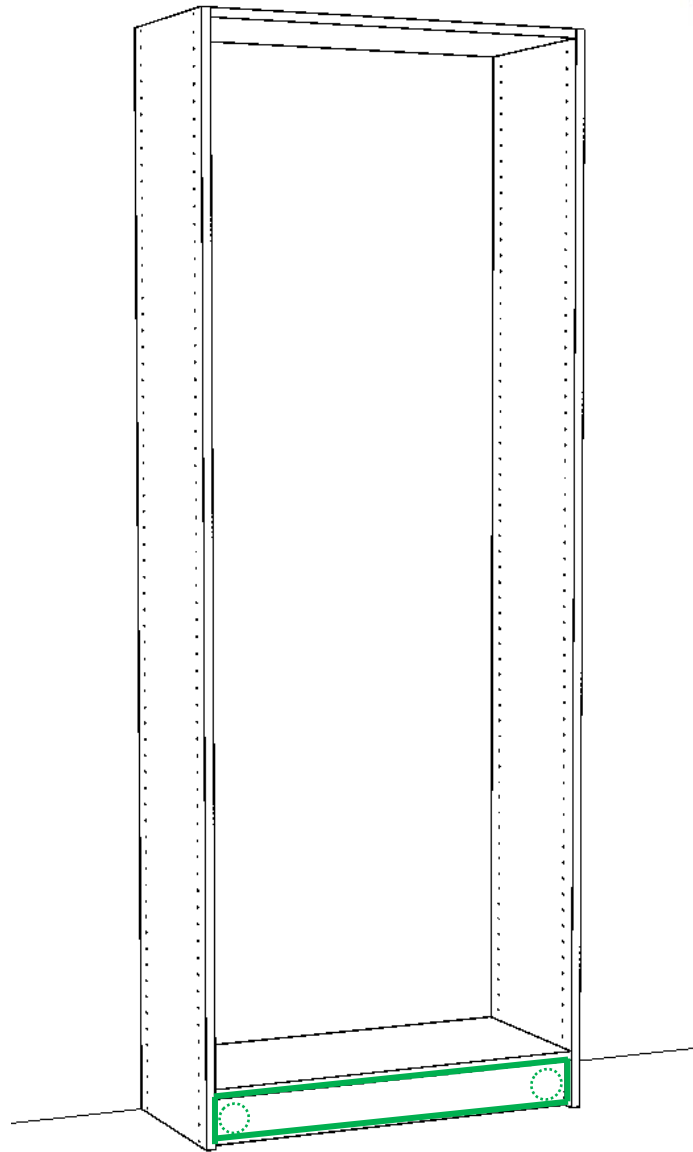
If sharing a panel use:



**X2** H.263.24.972

## Outside Right Corner Shelf Fixed Angled (ORCSHFFA)

Toe Kicks / Cleats / Valance / Fillers



**X2** *H.263.50.705*



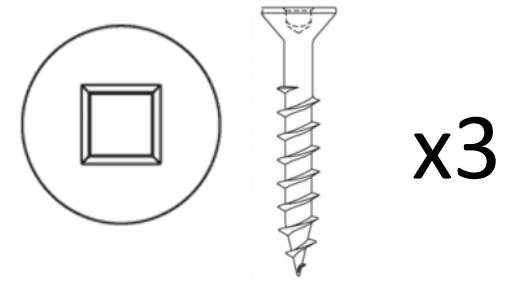
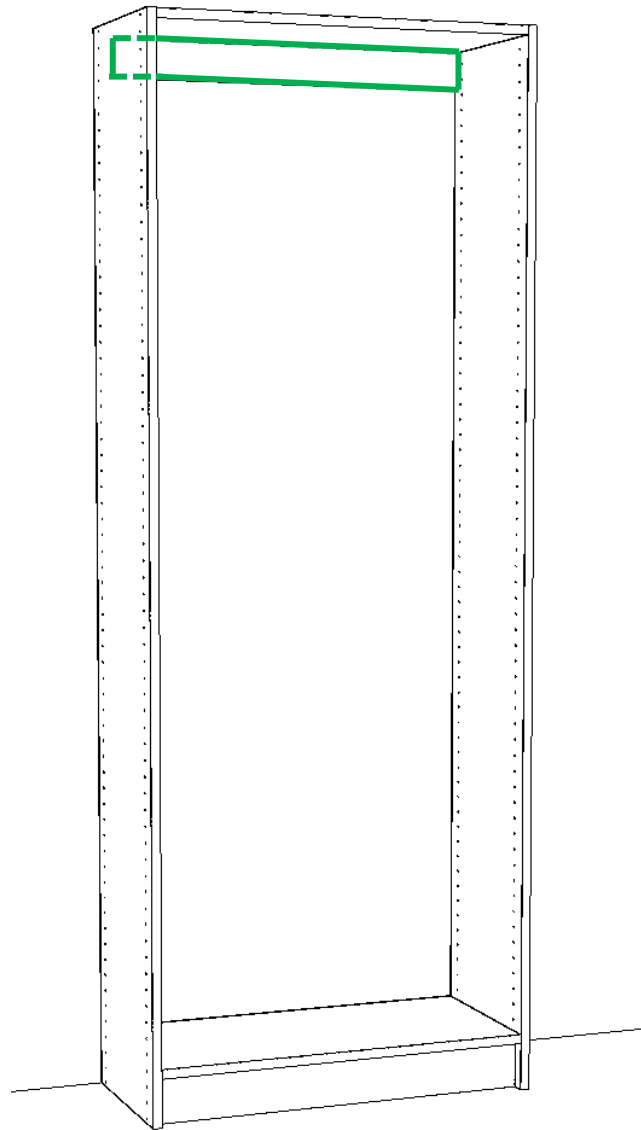
**X2** *H.263.20.985*

If sharing a panel use:



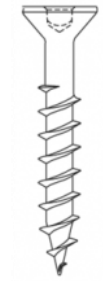
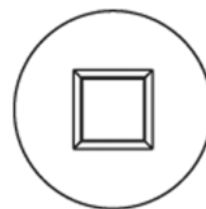
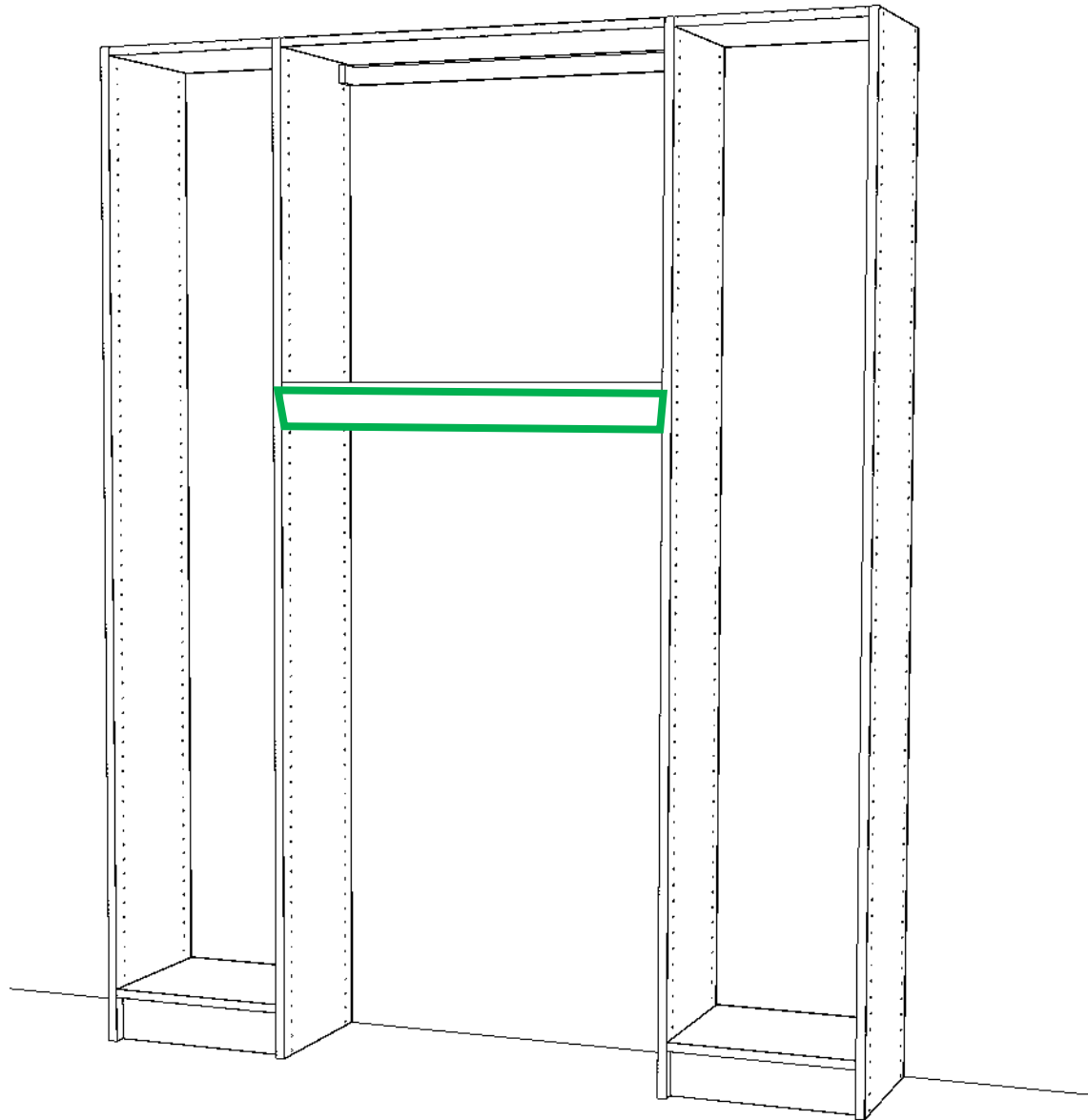
**X2** *H.263.24.972*

**Toe kick (TK)**



*#8 x 2 1/2 #2 Drive  
M-R20-1779  
Or Similar*

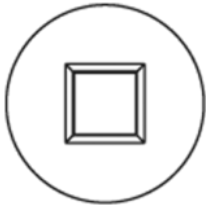
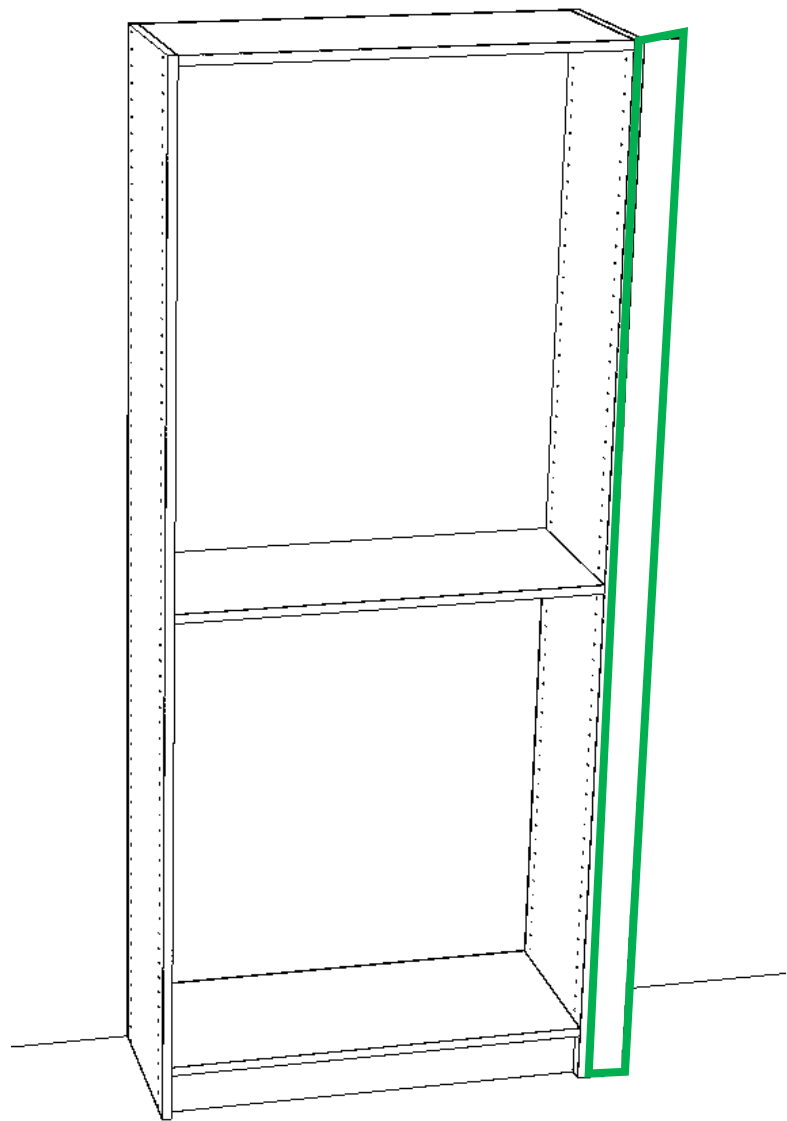
**Cleat (Cleat)**



x5

#8 x 2 1/2 #2 Drive  
M-R20-1779  
Or Similar

Valance (VAL)



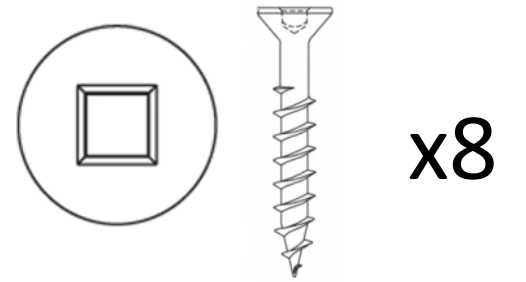
x5

#8 x 2 1/2 #2 Drive  
M-R20-1779  
Or Similar

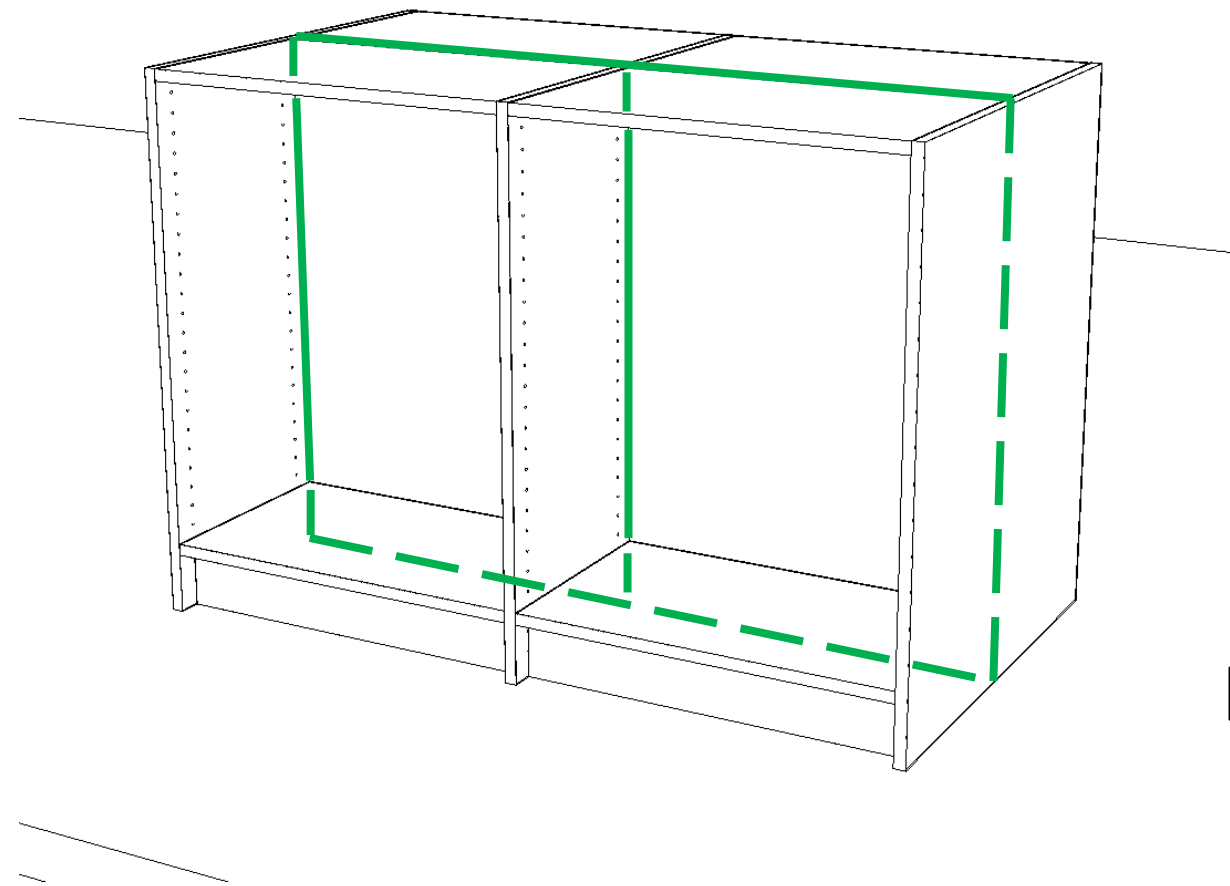
Filler (FILL)



# Island Modules



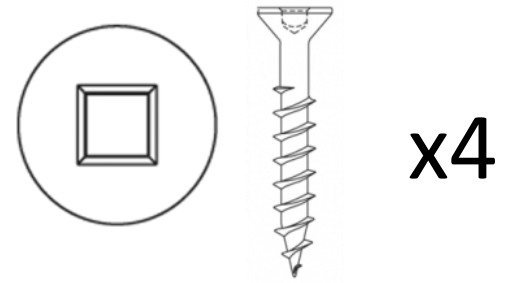
*#8 x 1 1/4 #2 Drive  
M-R20-1765  
Or Similar  
-Used for Back Panel only-*



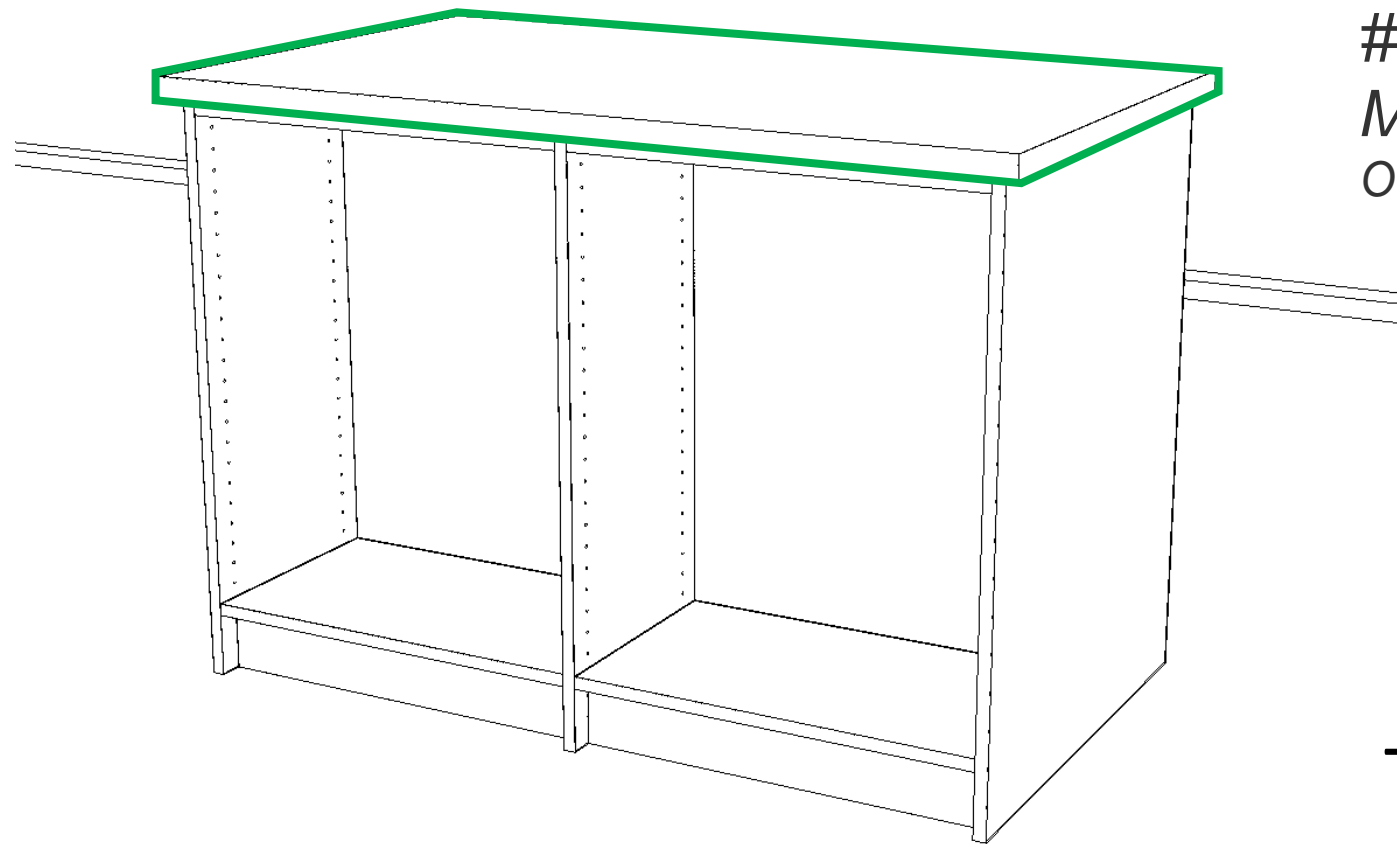
## Island Module

- \*Consists of multiple parts\*
- Island Panels (F/L/R/N Drill)
- Fixed Shelves
- Back Panels
- Toe Kicks

# Tops

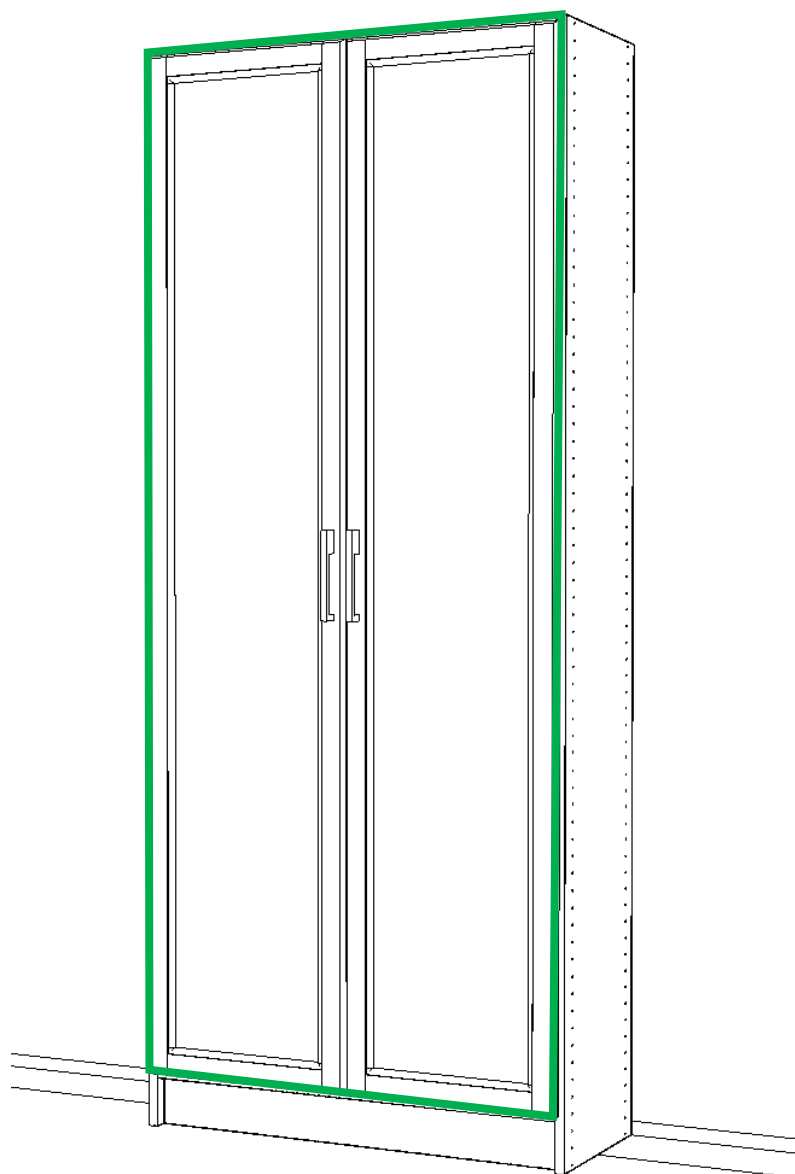


#8 x 1 1/4 #2 Drive  
M-R20-1765  
Or Similar



Tops (TOPS)

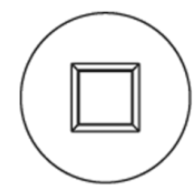
# Doors / Drawer Fronts



X\_\_ M-105-89T02TQ



X\_\_ M-105-C80B675F

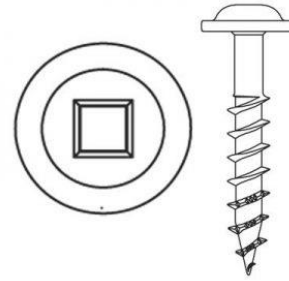
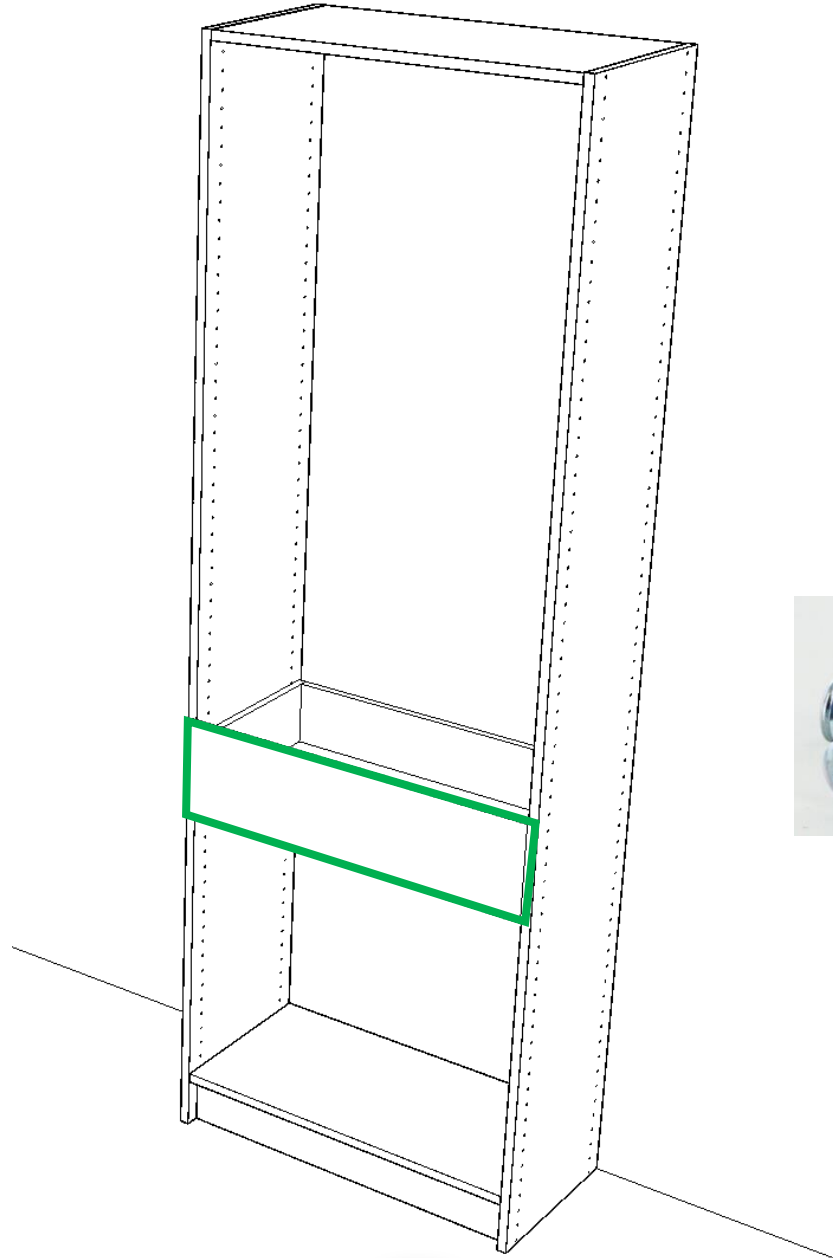


**X2** per hinge\_\_

#8 x 5/8 #2 Drive  
M-R20-1564  
Or Similar

**Closet Doors (L or R DR)**

5/8 & 3/4 (16 & 19mm) Drawer boxes use:



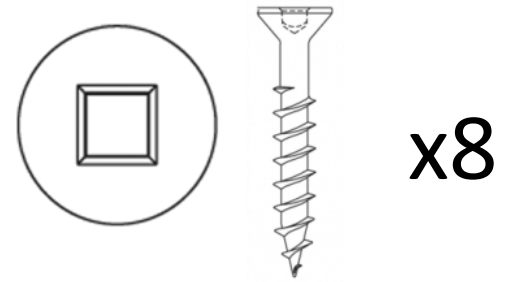
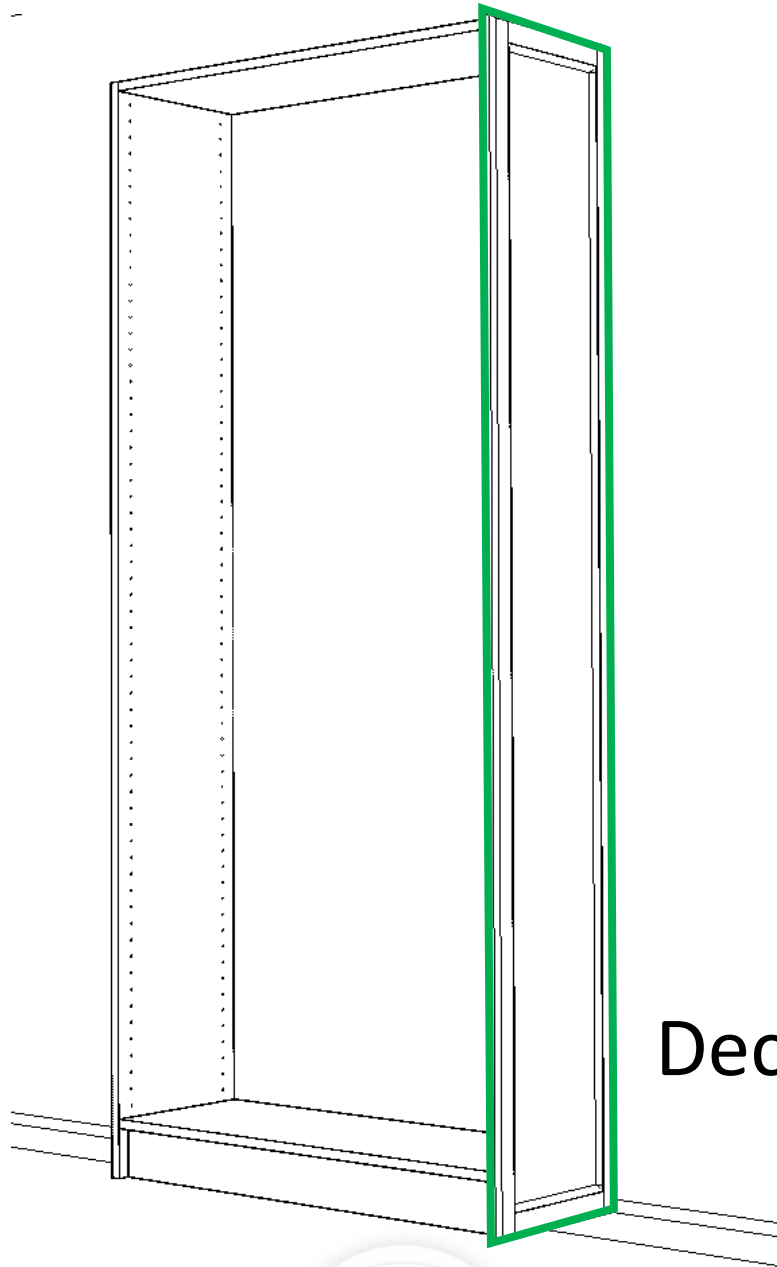
**X2 #8 x 1 1/4**  
**M-R20-3102**



**X2 #8-32 Standard Screw**  
**Break-away M-R20-3950**

**X2 M4 Metric Screw**  
**Break-Away H.022.35.887**

**Drawer Front**  
**(DRW\_\_\_)**

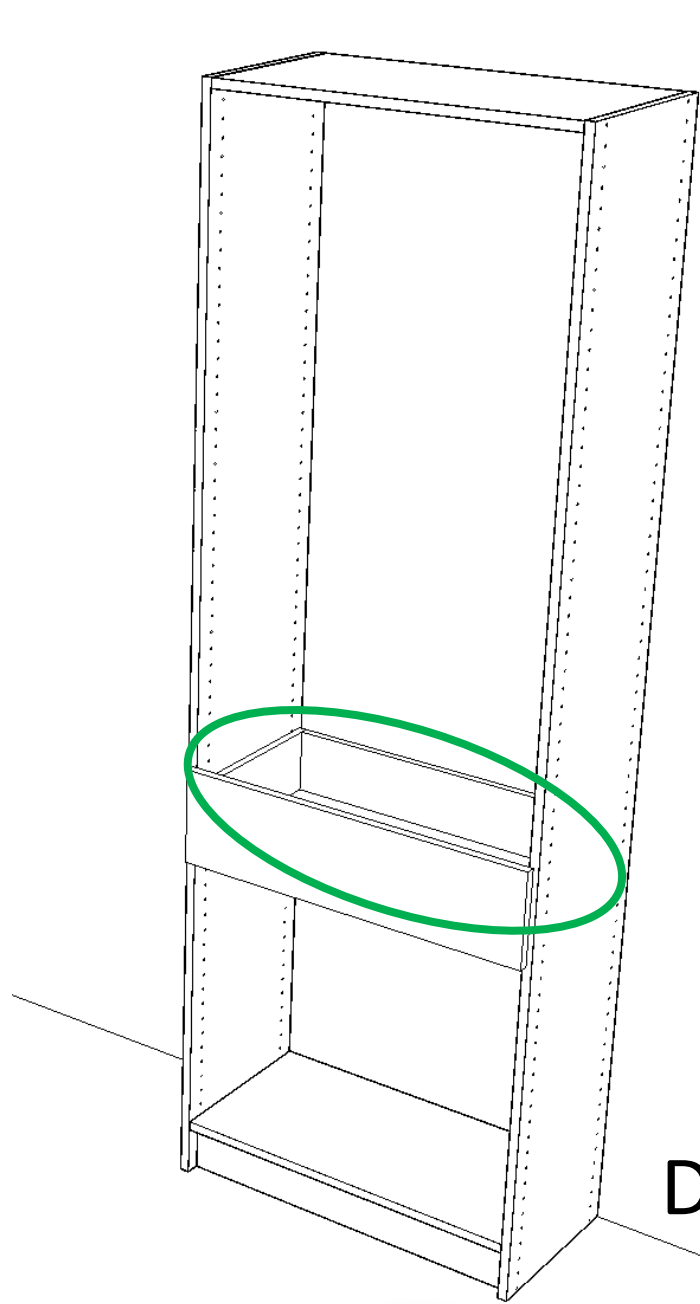


*#8 x 1 1/4 #2 Drive  
M-R20-1765  
Or Similar*

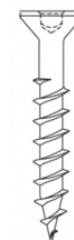
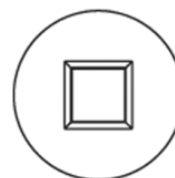
**Deco (Decorative) Door  
(L or R DDR)**



# Drawer Boxes



**X1** set M-105-S10\_\_\_H  
-Clips incl.-

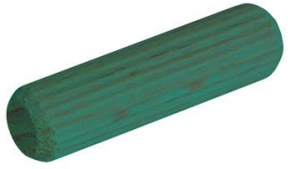


**X2** #8 x 5/8 #2 Drive  
M-R20-1564  
Or Similar



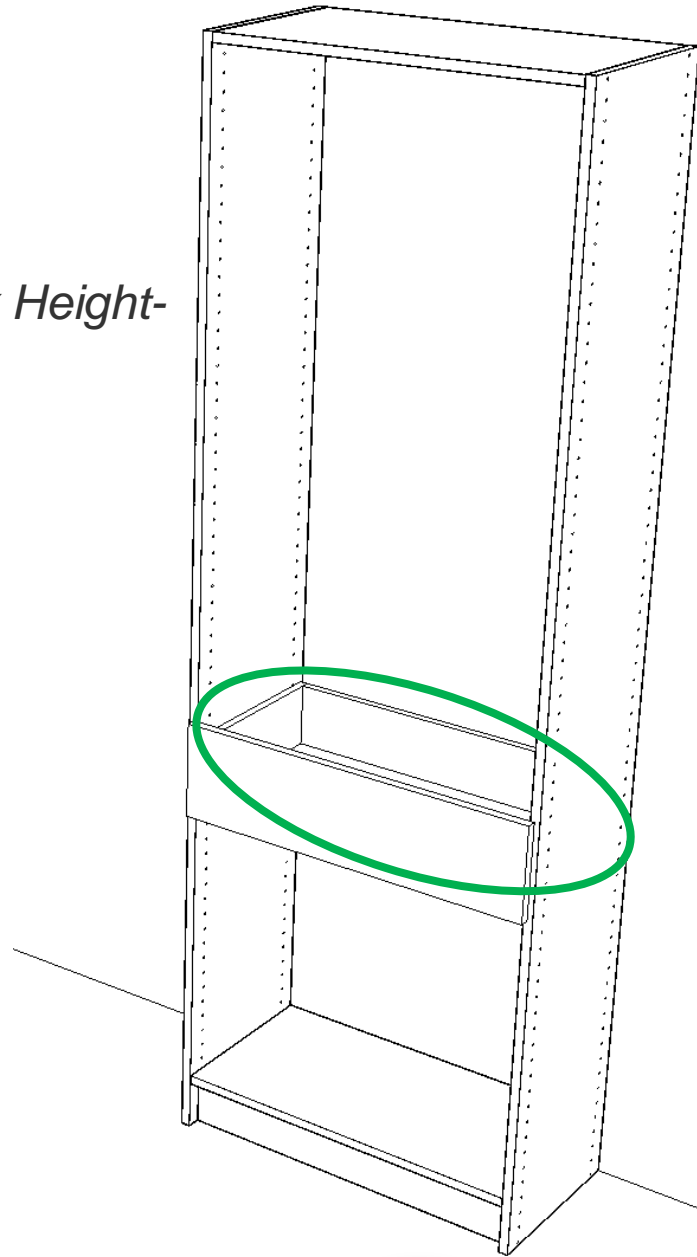
**x2** M-06-7000

**Drawer Box Dovetail 5/8 (16mm)**  
**(DBX\_\_\_ \_\_\_ \_\_\_)**

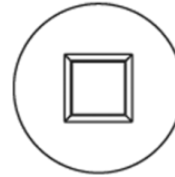


**X\_\_\_ H.267.84.230**

-Quantity depends on Box Height-  
-Approx 12 to 16-



**X1 set M-105-S10\_\_\_H**  
-Clips incl.-

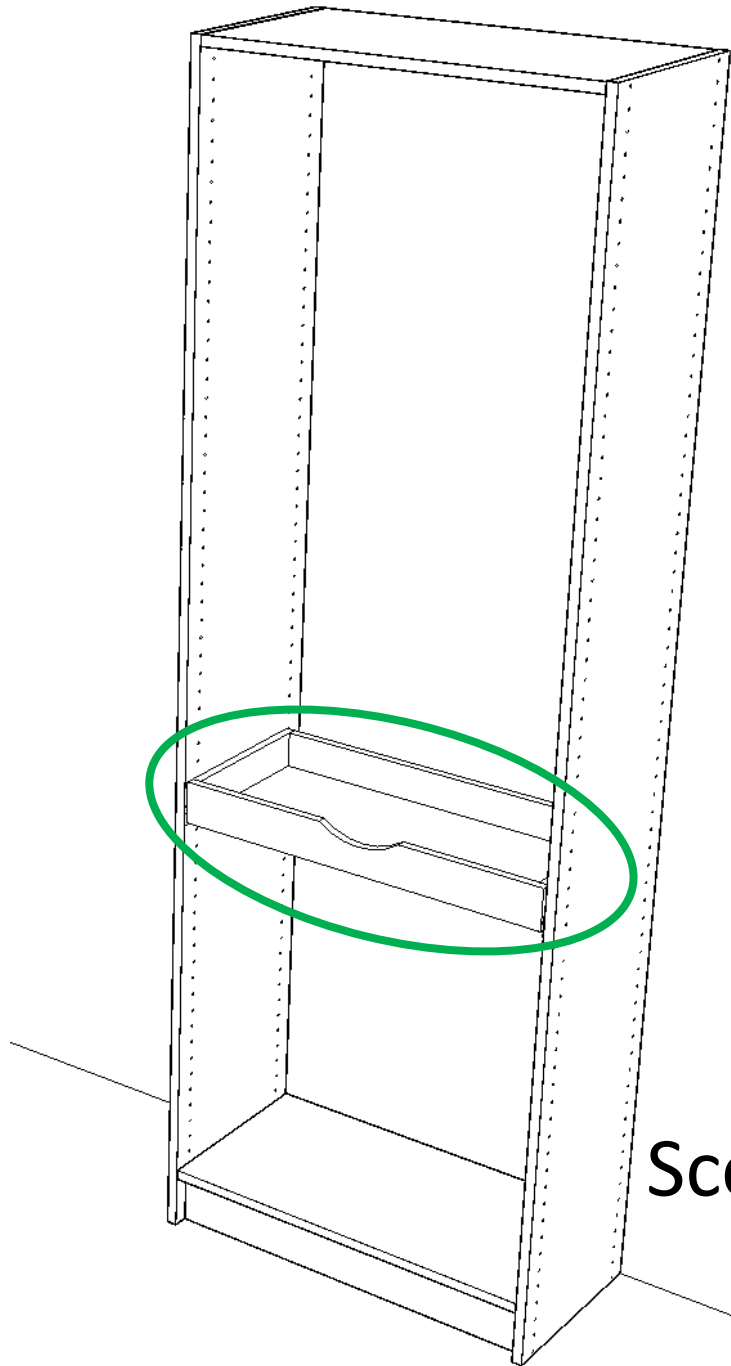


**X2** #8 x 5/8 #2 Drive  
M-R20-1564  
Or Similar

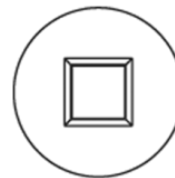


**x2 M-06-7000**

**Drawer Box Melamine 3/4 (19mm)  
(34MDRWB)**



**X1** set M-105-S10\_\_\_H  
*-Clips incl.-*



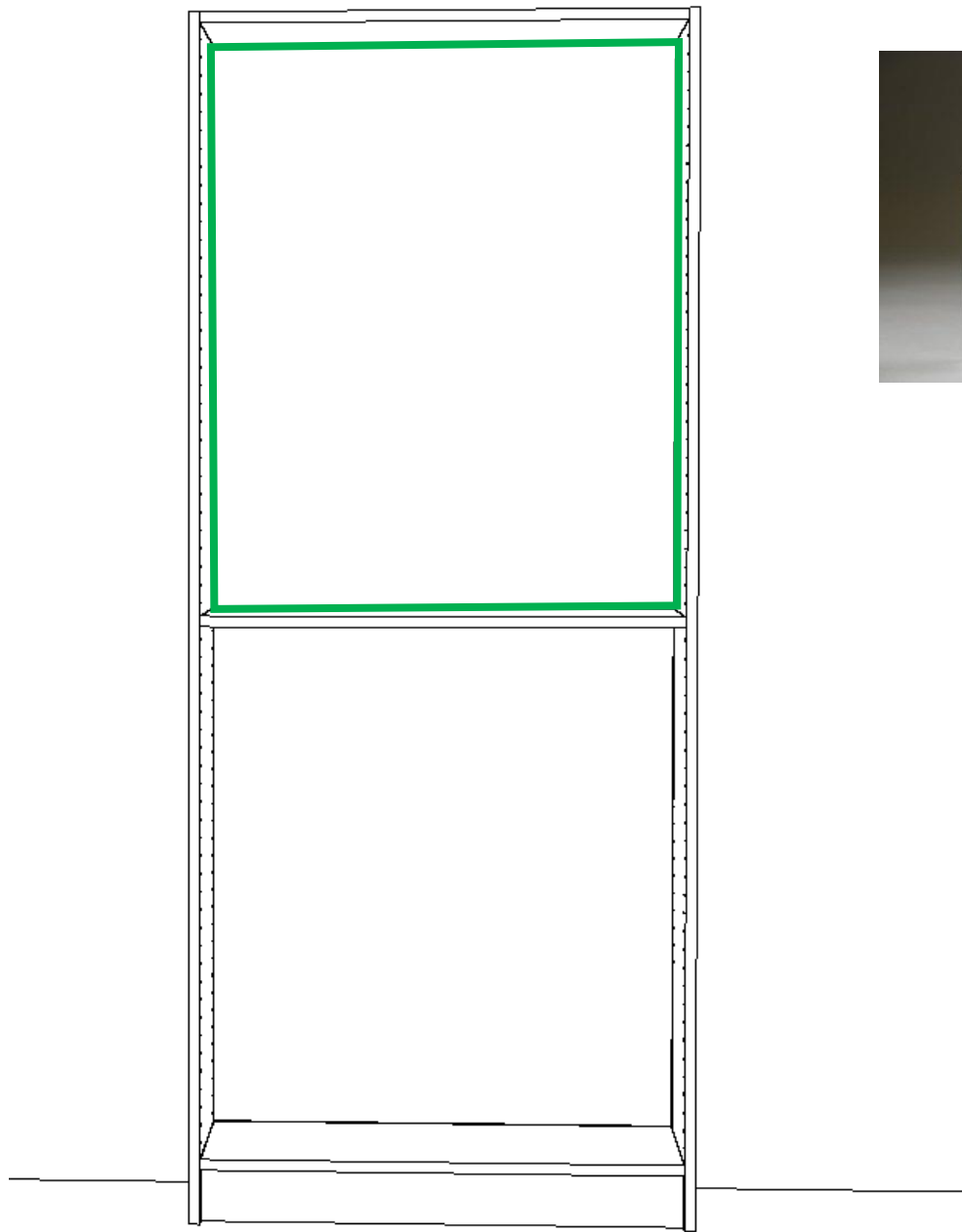
**X2** #8 x 5/8 #2 Drive  
M-R20-1564  
*Or Similar*



**x2** M-06-7000

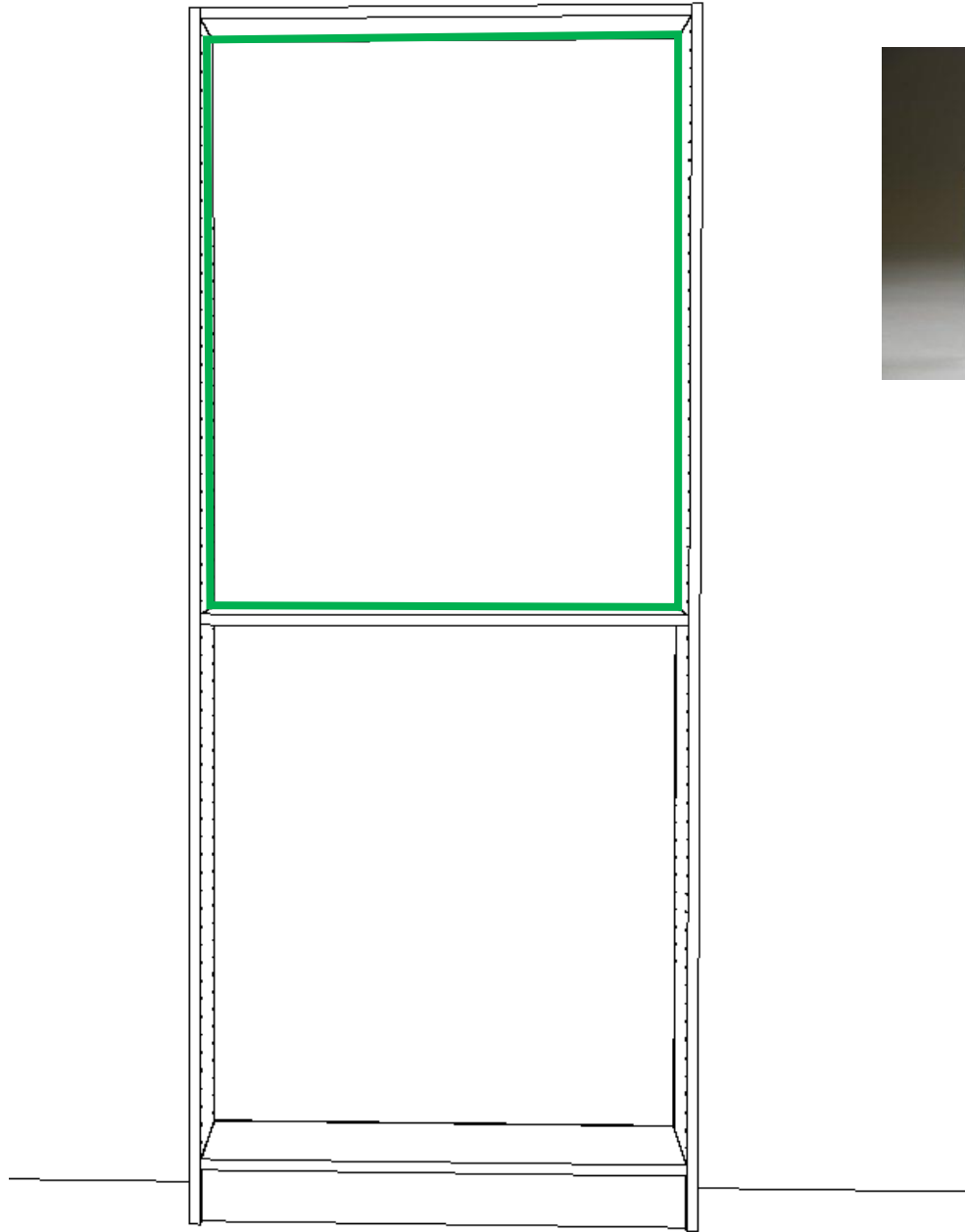
**Scooped Drawer Box Dovetail 5/8 (16mm)**  
**(SDBX\_\_\_ \_\_\_)**

# Back Panels



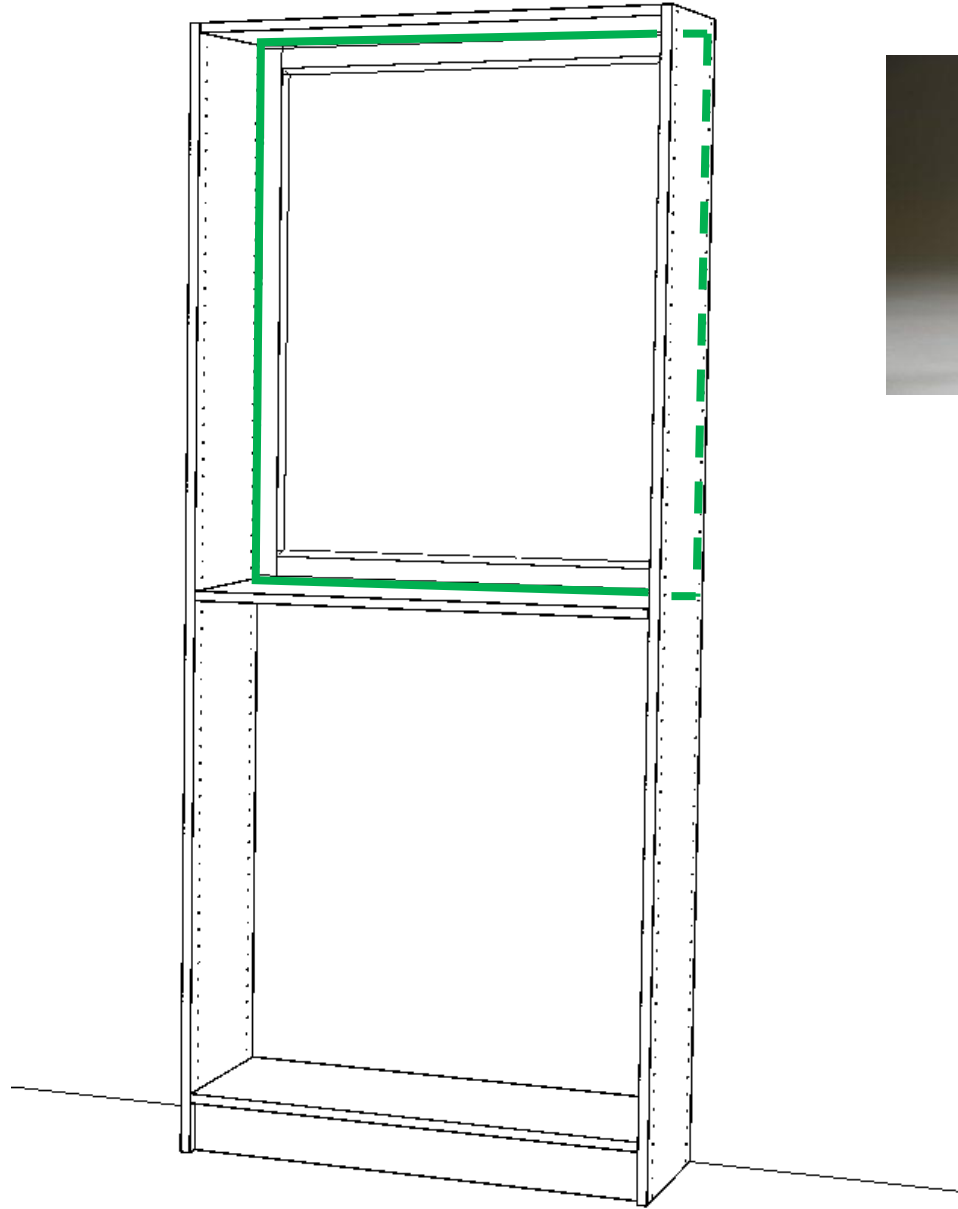
Recommended

Back Panel  
(BACK)



Recommended

Insert Glass \_\_  
(INSVN \_\_)

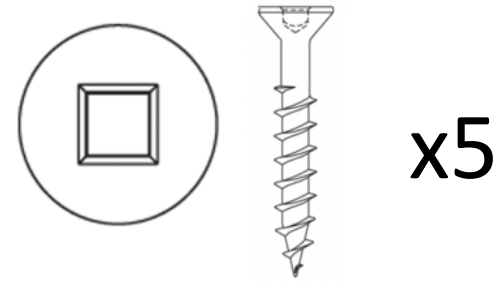
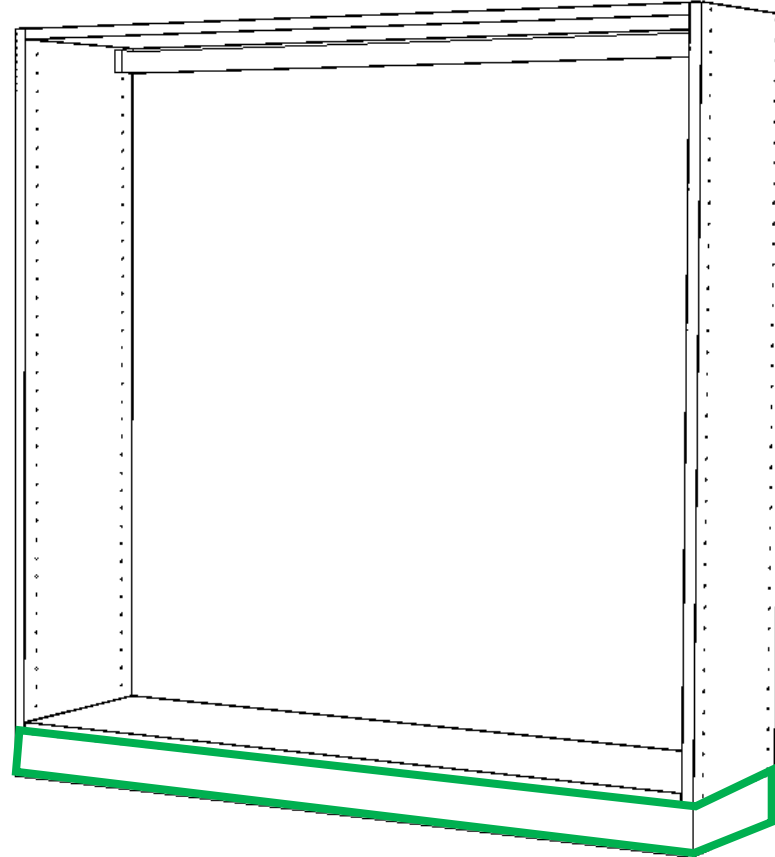


Recommended

Back Panel Door  
(BDOOR)



# Moldings



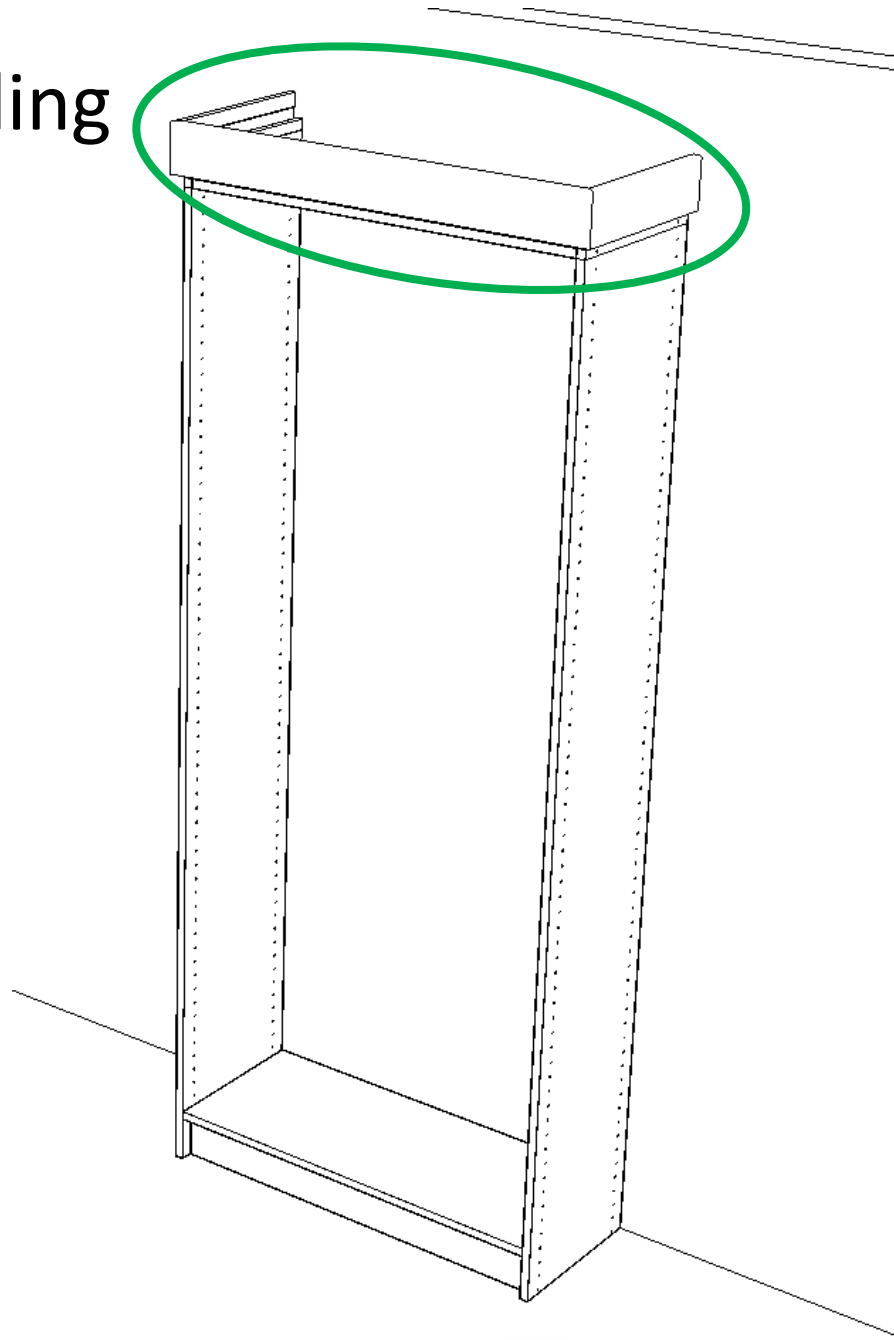
#8 x 2 1/2 #2 Drive  
M-R20-1779  
Or Similar



Recommended

Valance Molding  
(SVAL2)

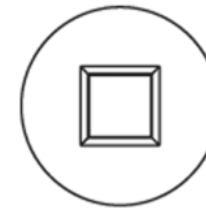
Front Mounted Molding  
(SFLAT\_\_)  
Backing  
(SFLAT) 3"



Recommended



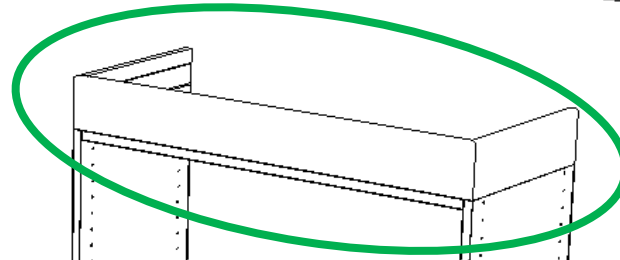
Recommended



x5

#8 x 2 1/2 #2 Drive  
M-R20-1779  
Or Similar

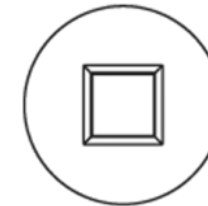
# Top Mounted Molding (SFLAT\_\_)



Recommended



Recommended



x5

#8 x 2 1/2 #2 Drive  
M-R20-1779  
Or Similar

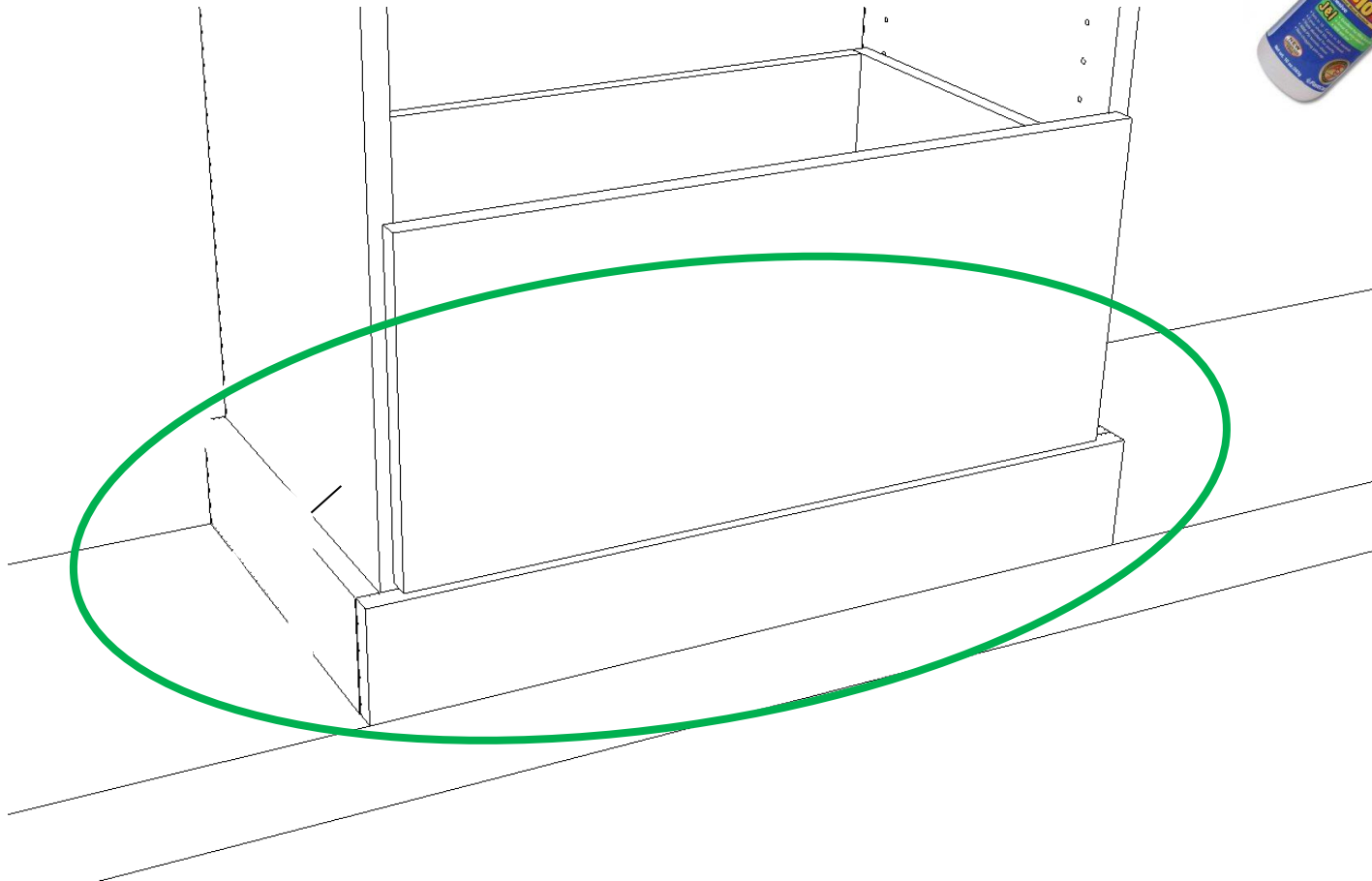
# Bottom Flat Molding (SFLAT\_\_)



Recommended



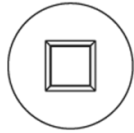
Recommended



# Jewelry / Belt Drawers



1X set M-372-NJ35D65



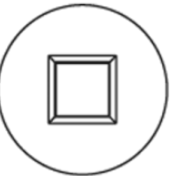
X2 #8 x 5/8 #2 Drive  
M-R20-1564  
Or Similar



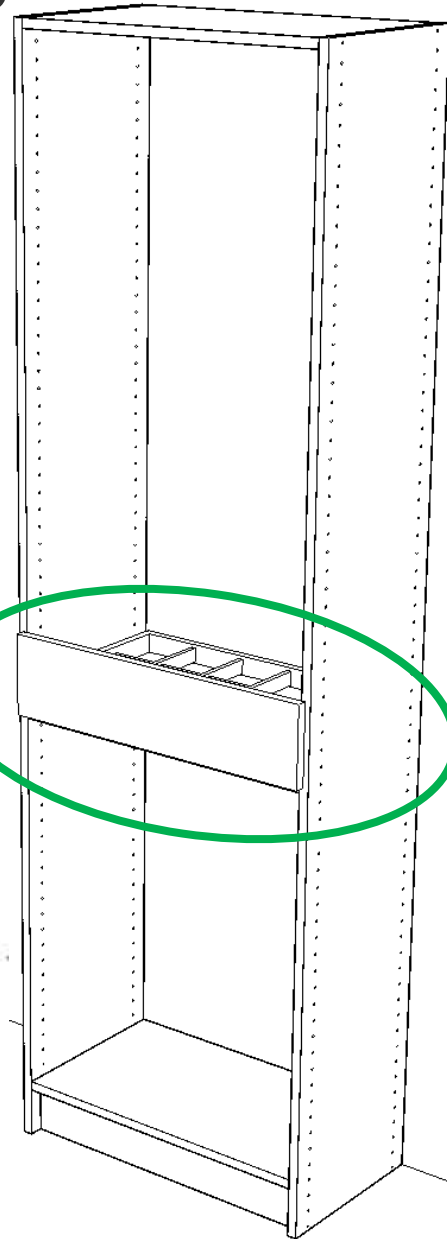
X2 M-06-7000



1X H.811.03.504



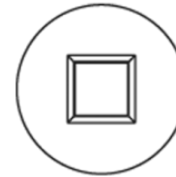
X4 #6 x 1/2 #1 Drive  
M-R20-1513  
Or Similar



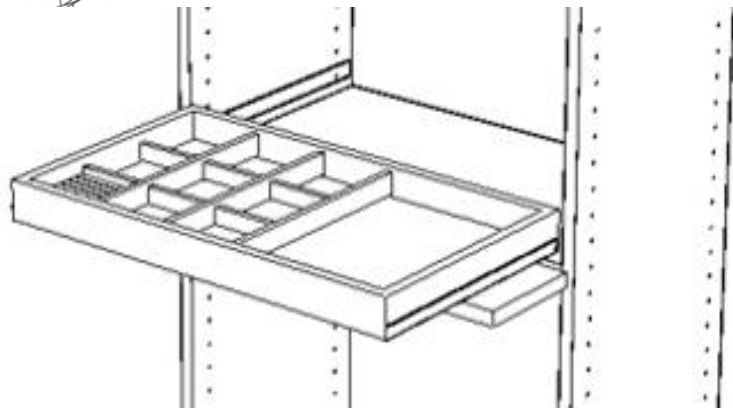
X2 M-105-89T02TQ



X2 M-105-C80B675F



X4 #8 x 5/8 #2 Drive  
M-R20-1564  
Or Similar

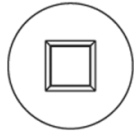


Jewelry Drawer & Front  
(JDRW\_\_\_)

\* Requires a Fixed Shelf (SHFF) for this item to be placed



1X set M-372-NJ35D65



X2

#8 x 5/8 #2 Drive  
M-R20-1564  
Or Similar

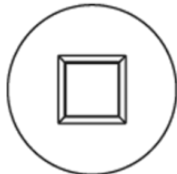


x2

M-06-7000

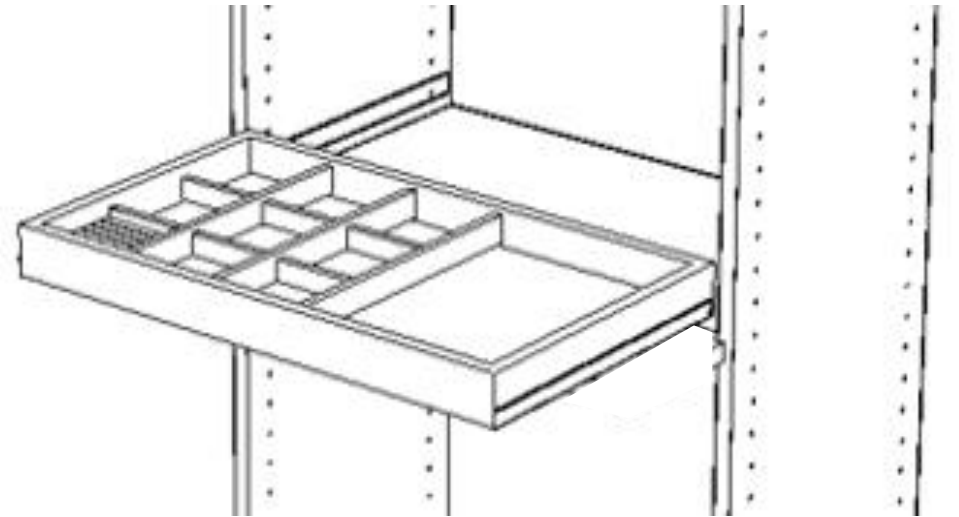
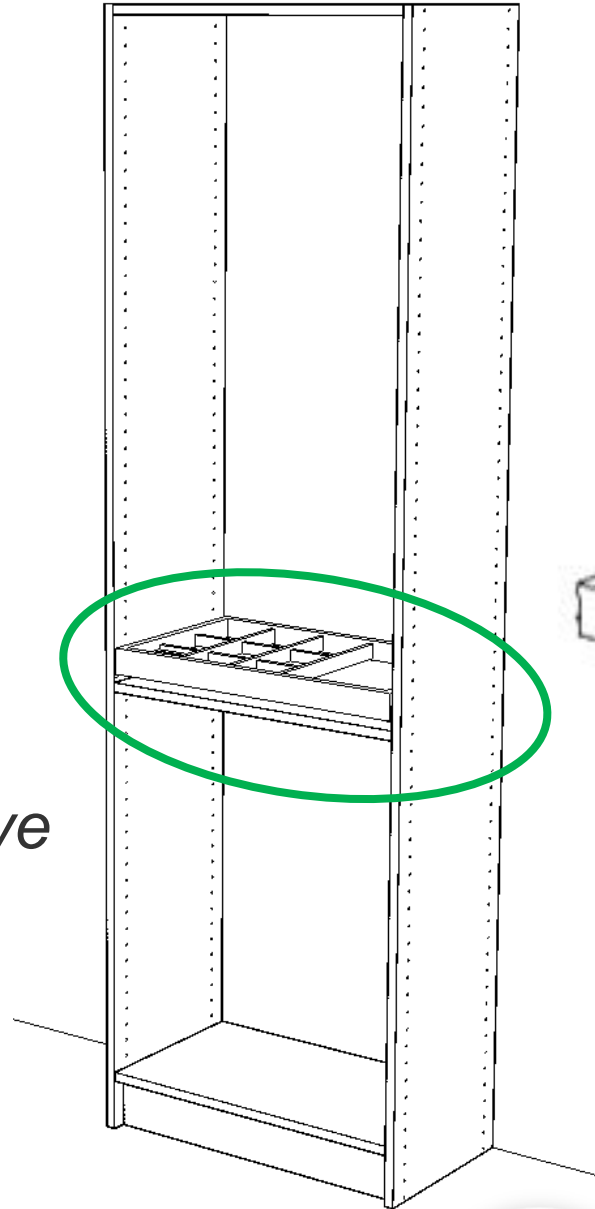


1X H.811.03.504



X4

#6 x 1/2 #1 Drive  
M-R20-1513  
Or Similar



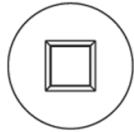
Jewelry Drawer w/o Front  
(BDRW\_\_\_)

\* Requires a Fixed Shelf (SHFF) for this item to be placed





1X set M-372-NJ35D65



X2 #8 x 5/8 #2 Drive  
M-R20-1564  
Or Similar



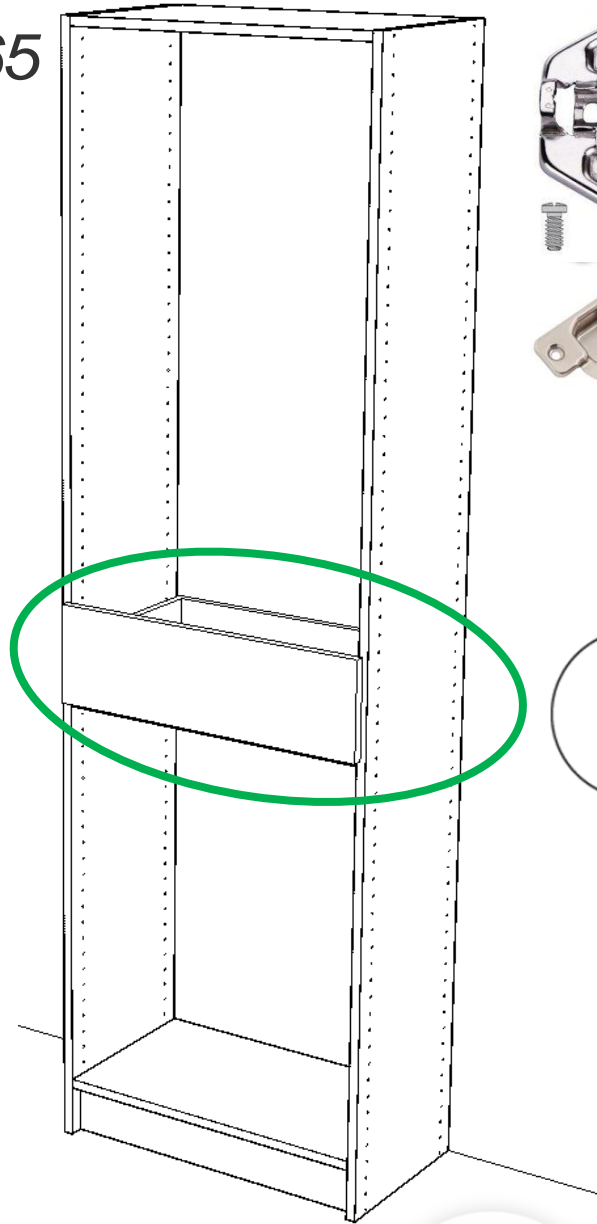
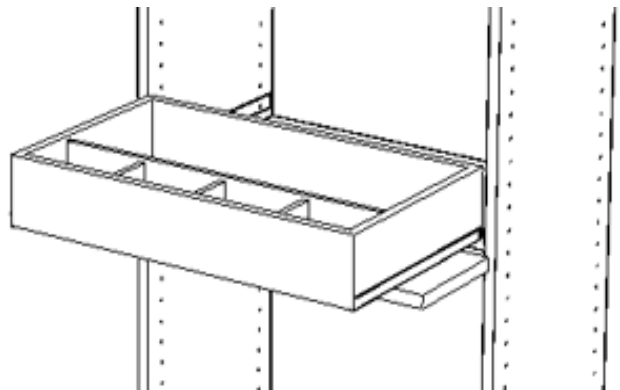
X2 M-06-7000



1X H.811.03.504



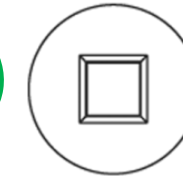
X4 #6 x 1/2 #1 Drive  
M-R20-1513  
Or Similar



X2 M-105-89T02TQ



X2 M-105-C80B675F



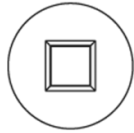
X4 #8 x 5/8 #2 Drive  
M-R20-1564  
Or Similar

Belt Drawer & Front  
(BDRW\_\_\_)

\* Requires a Fixed Shelf (SHFF) for this item to be placed



1X set M-372-NJ35D65



X2

#8 x 5/8 #2 Drive  
M-R20-1564  
Or Similar

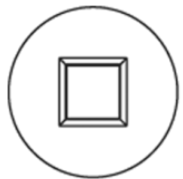


x2

M-06-7000

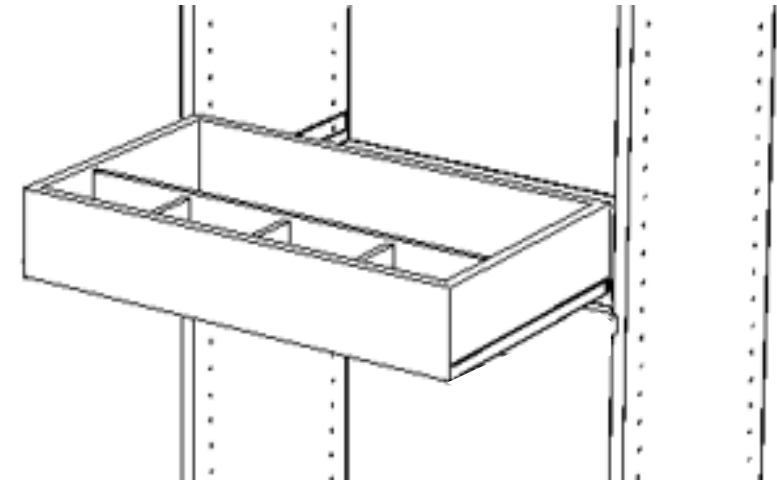
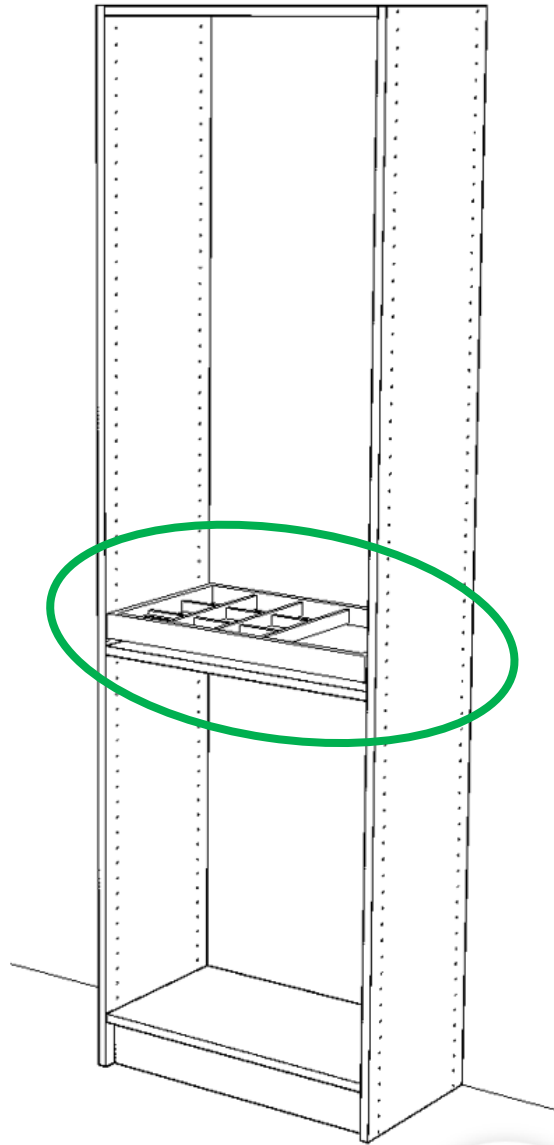


1X H.811.03.504



X4

#6 x 1/2 #1 Drive  
M-R20-1513  
Or Similar



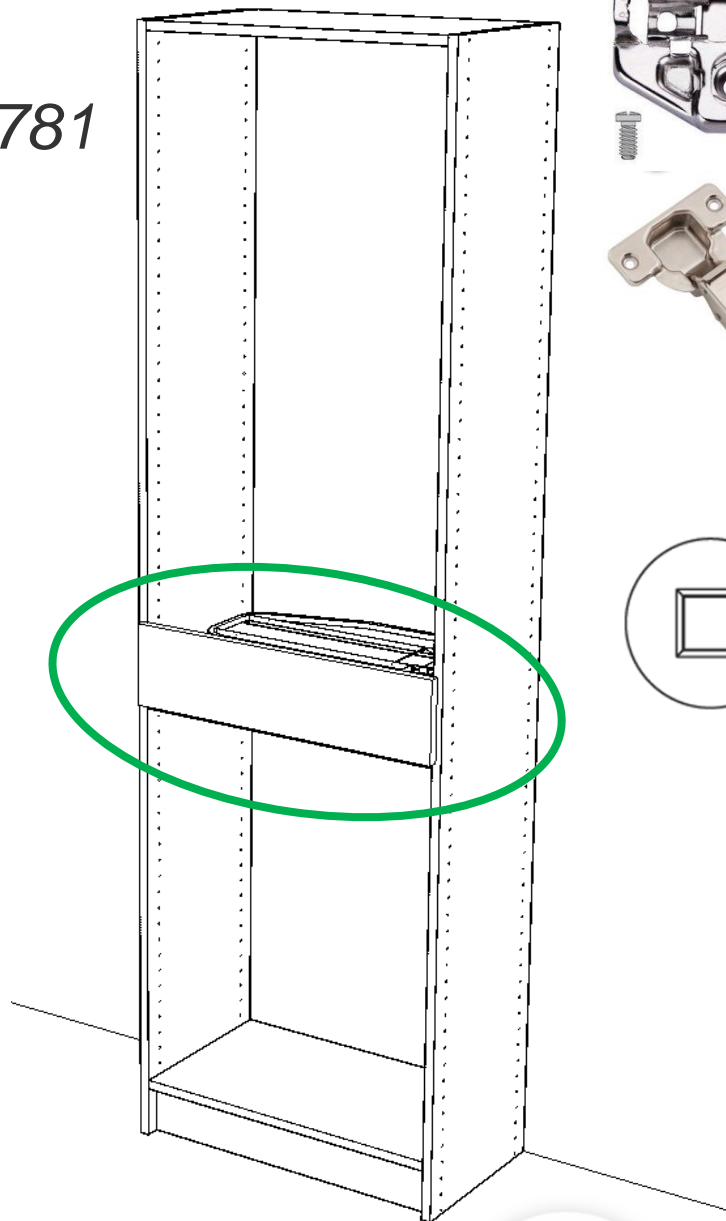
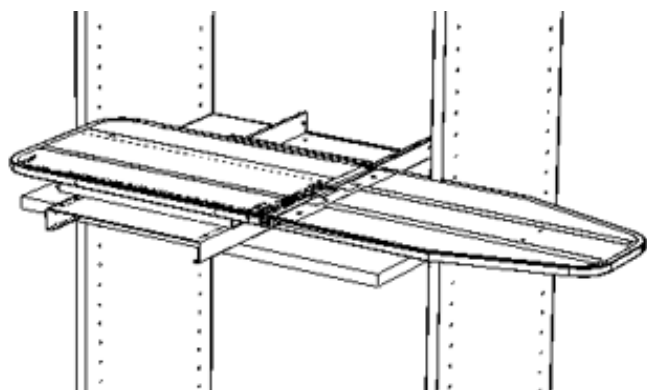
Belt Drawer w/o Front  
(H.811.03.504)

\* Requires a Fixed Shelf (SHFF) for this item to be placed

# Ironing Boards



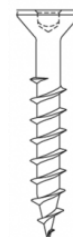
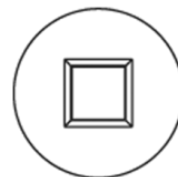
**1X H.568.60.781**  
-Screws incl.-



**x2 M-105-89T02TQ**



**x2 M-105-C80B675F**



**X4 #8 x 5/8 #2 Drive**  
**M-R20-1564**  
Or Similar

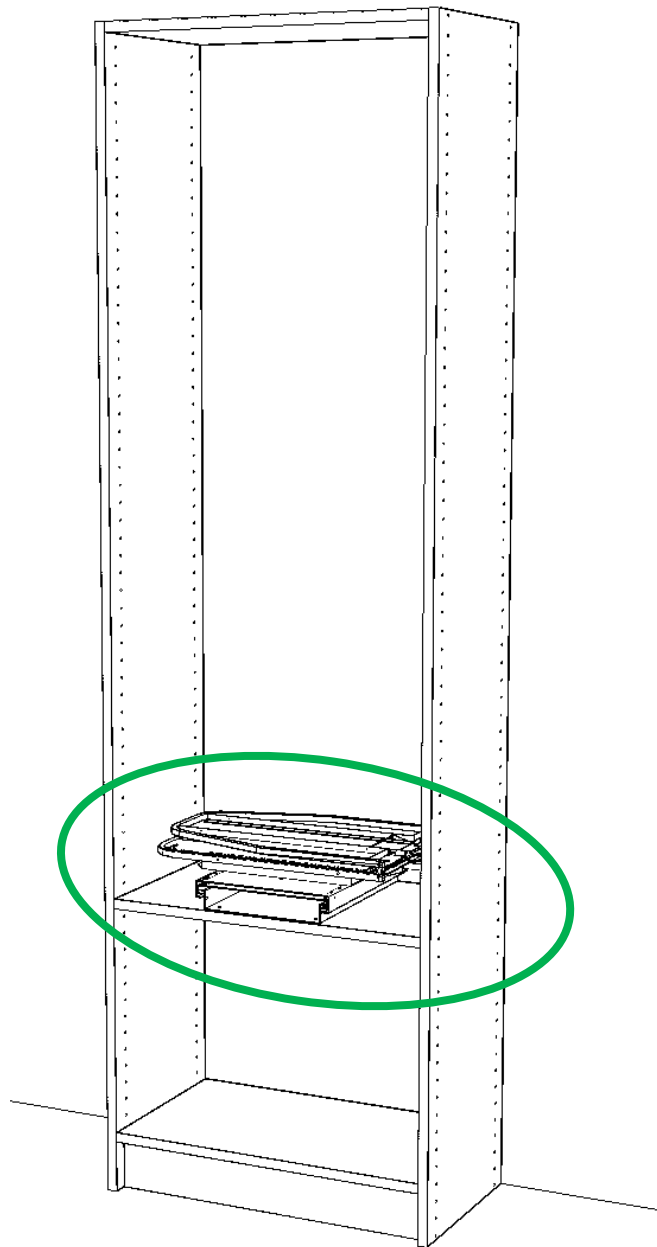
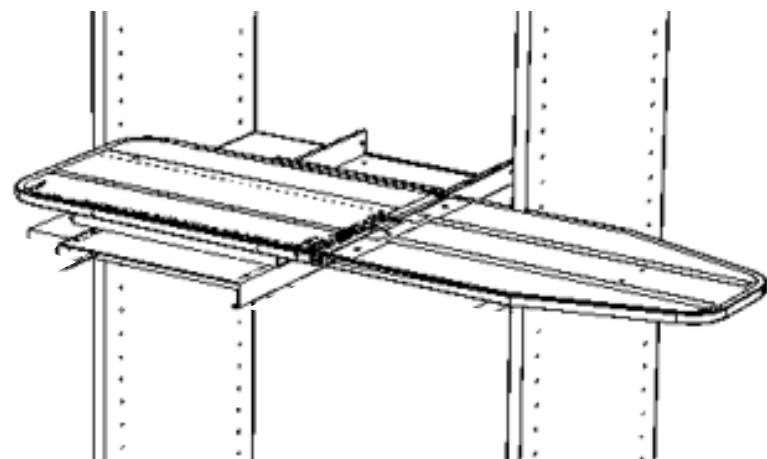
**Ironing Board & Front**  
**(BDRW\_\_\_)**

**\* Requires a Fixed Shelf (SHFF) for this item to be placed**



1X H.568.60.781

-Screws incl.-



Ironing Board w/o Front  
(H.568.60.781)

\* Requires a Fixed Shelf (SHFF) for this item to be placed

# Laundry Hampers



Option



**x1**  
H.xxx.xx.xxx

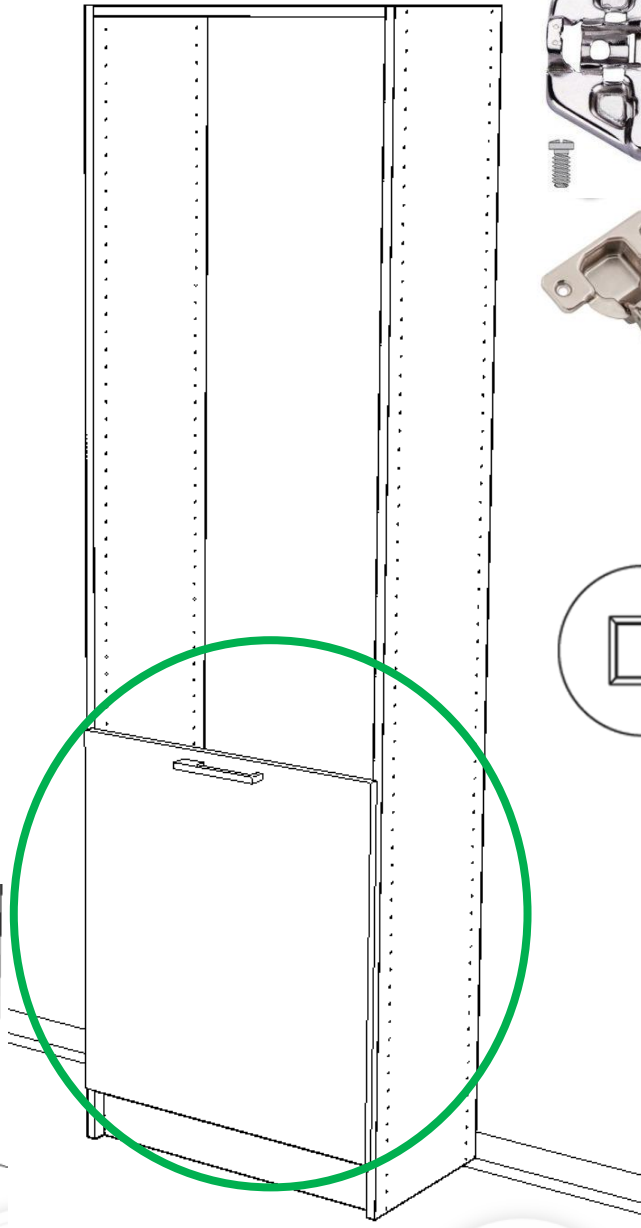
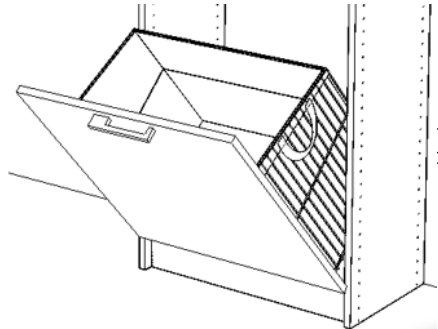
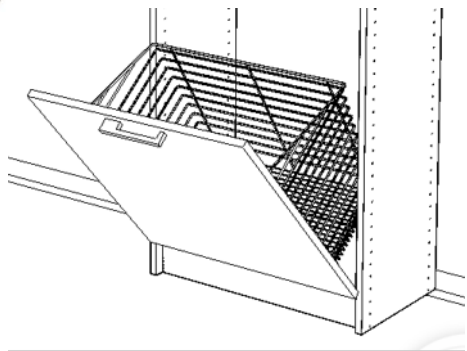
**x1**  
H.xxx.xx.xxx



**x1** H.xxx.xx.xxx  
-Screws Incl.-



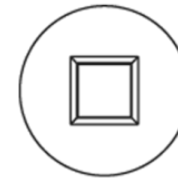
**x1** H.xxx.xx.xxx  
-Screws Incl.-



**x2** M-105-89T02TQ



**x2** M-105-C80B675F



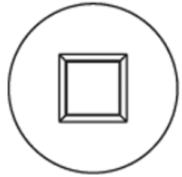
**x8** #8 x 5/8 #2 Drive  
M-R20-1564  
Or Similar

**Tilt-out Laundry Basket**  
(H.xxx.xx.xxx)

**\* Requires a Fixed Shelf (SHFF) for this item to be placed**



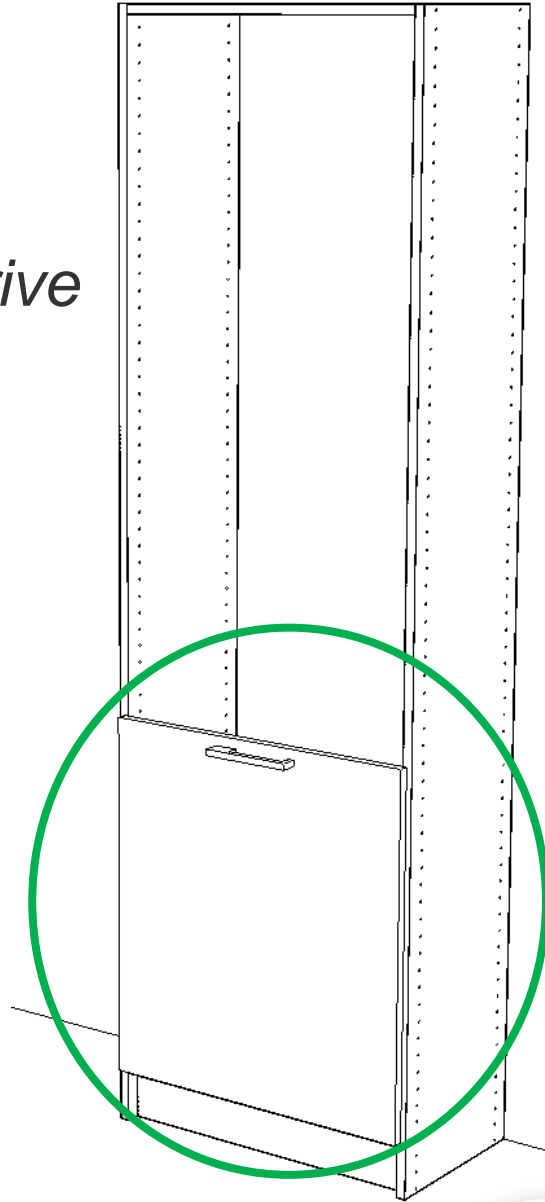
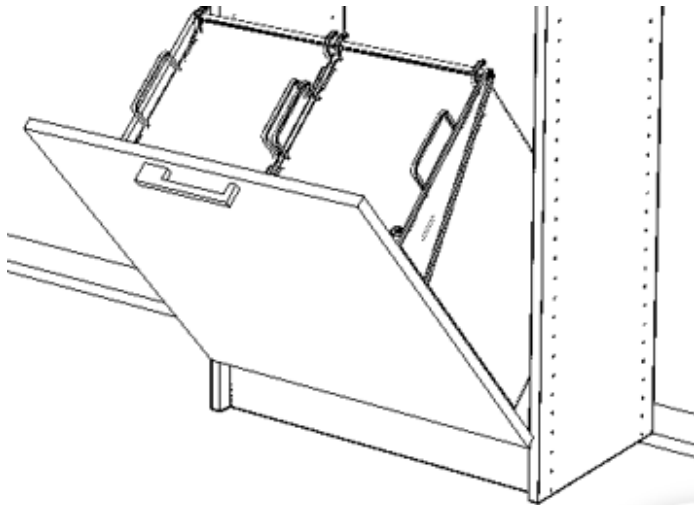
**x1 H.xxx.xx.xxx**  
-Screws Incl.-



**x4 #8 x 5/8 #2 Drive**  
**M-R20-1564**  
Or Similar



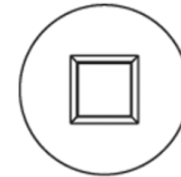
**x1 H.xxx.xx.xxx**  
-Screws Incl.-



**x2 M-105-89T02TQ**



**x2 M-105-C80B675F**



**x8 #8 x 5/8 #2 Drive**  
**M-R20-1564**  
Or Similar

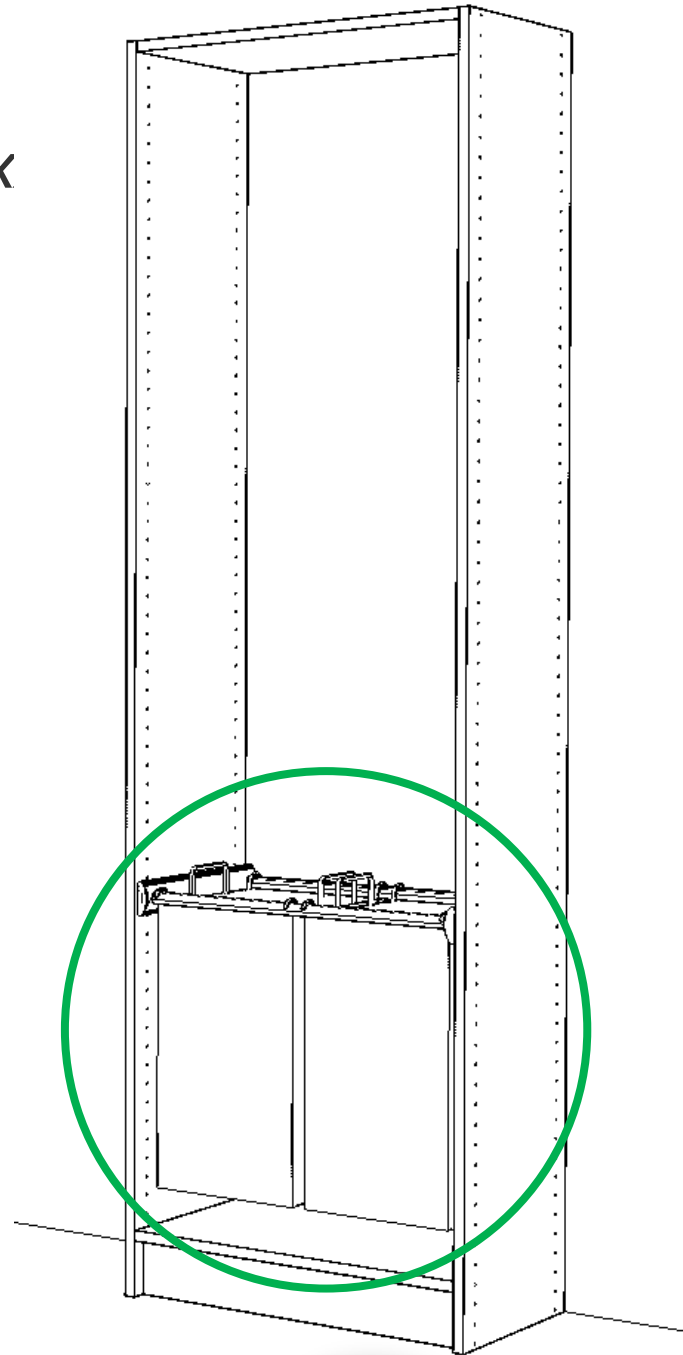
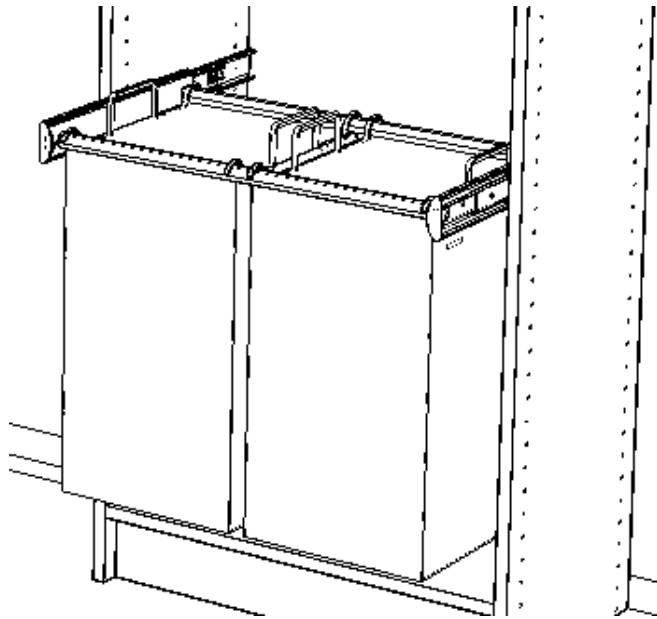
**Tilt-out Laundry Hamper**  
**(H.xxx.xx.xxx)**

**\* Requires a Fixed Shelf (SHFF) for this item to be placed**





*X1 H.xxx.xx.x*  
*-Screws Incl.-*

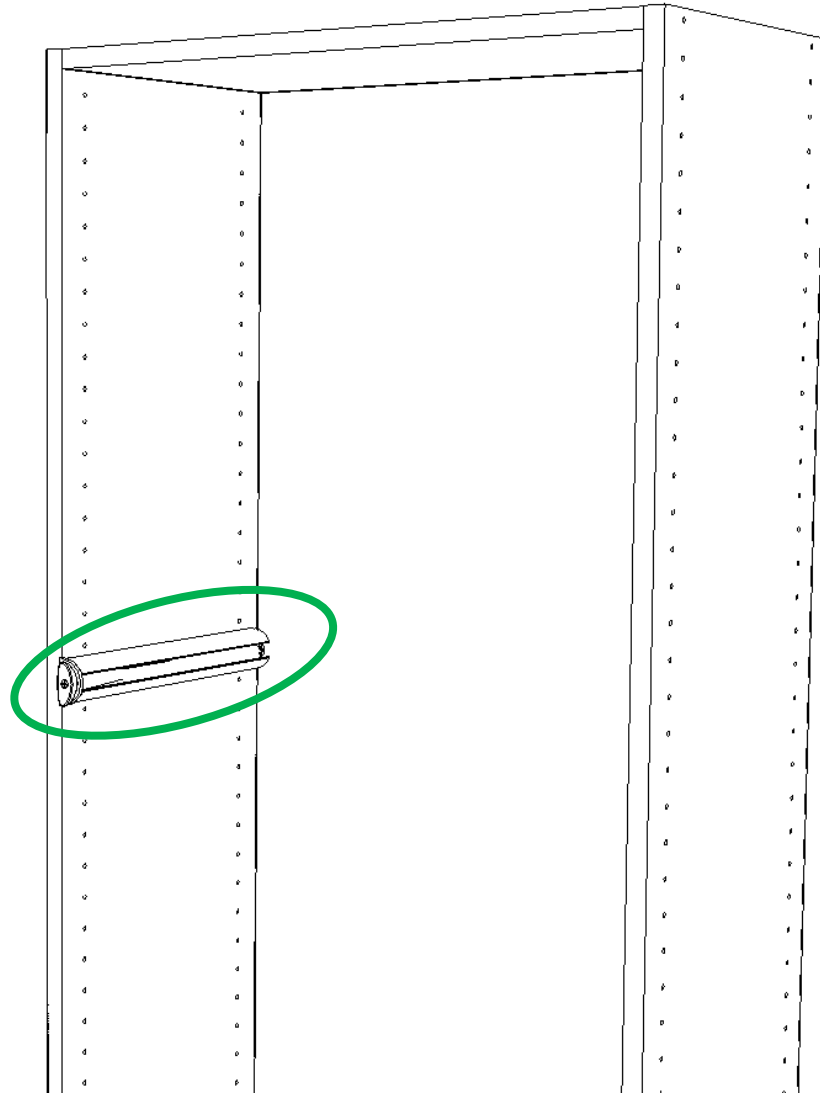
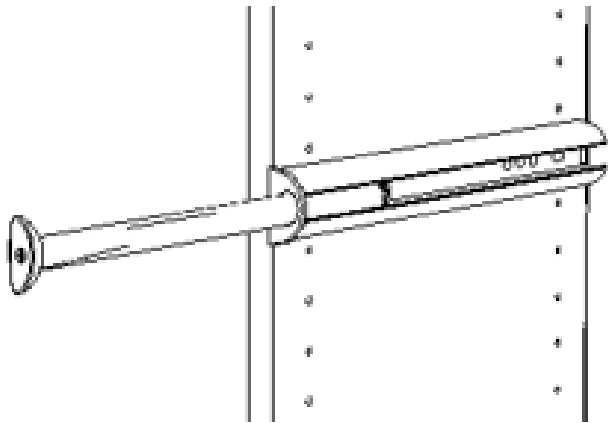


**Pull-out Laundry Hamper**  
**(H.xxx.xx.xxx)**

# Pull – Out Accessories



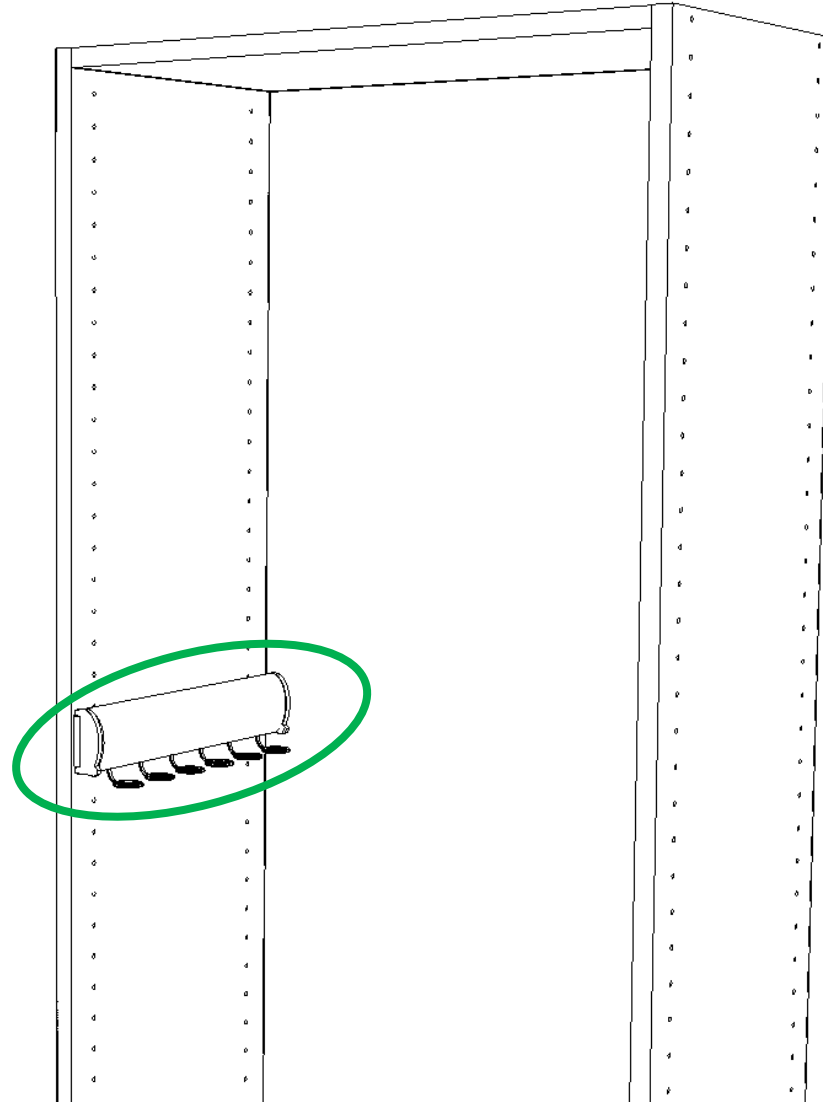
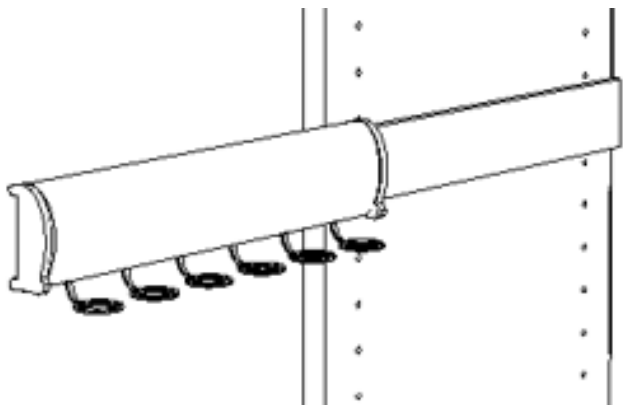
*X1 H.xxx.xx.xxx*  
*-Screws Incl.-*



**Pull-out Valet Rod**  
**(H.xxx.xx.xxx)**



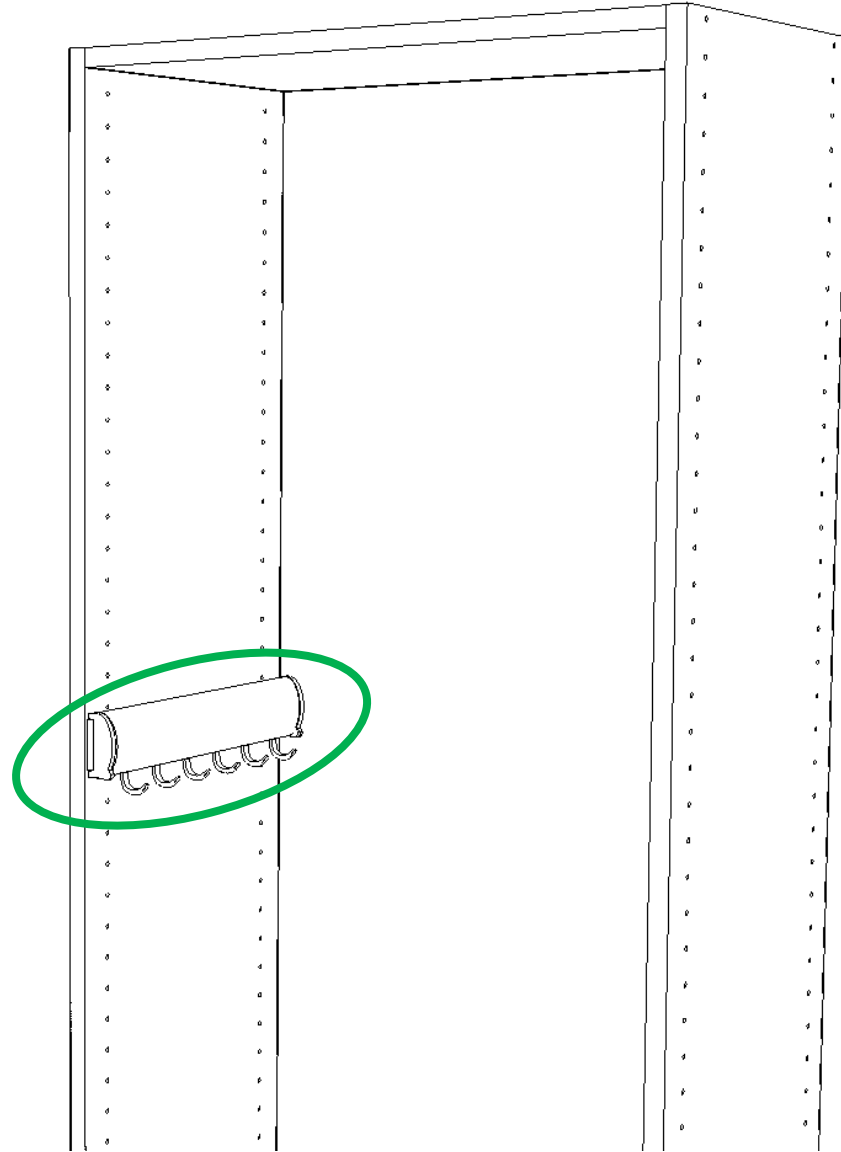
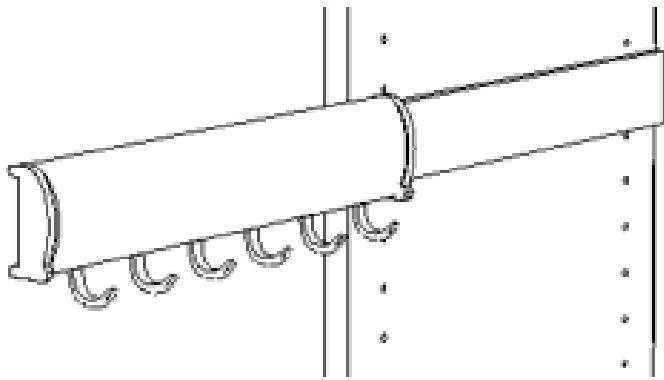
*X1 H.xxx.xx.xxx*  
*-Screws Incl.-*



**Pull-out Scarf Rack**  
**(H.xxx.xx.xxx)**



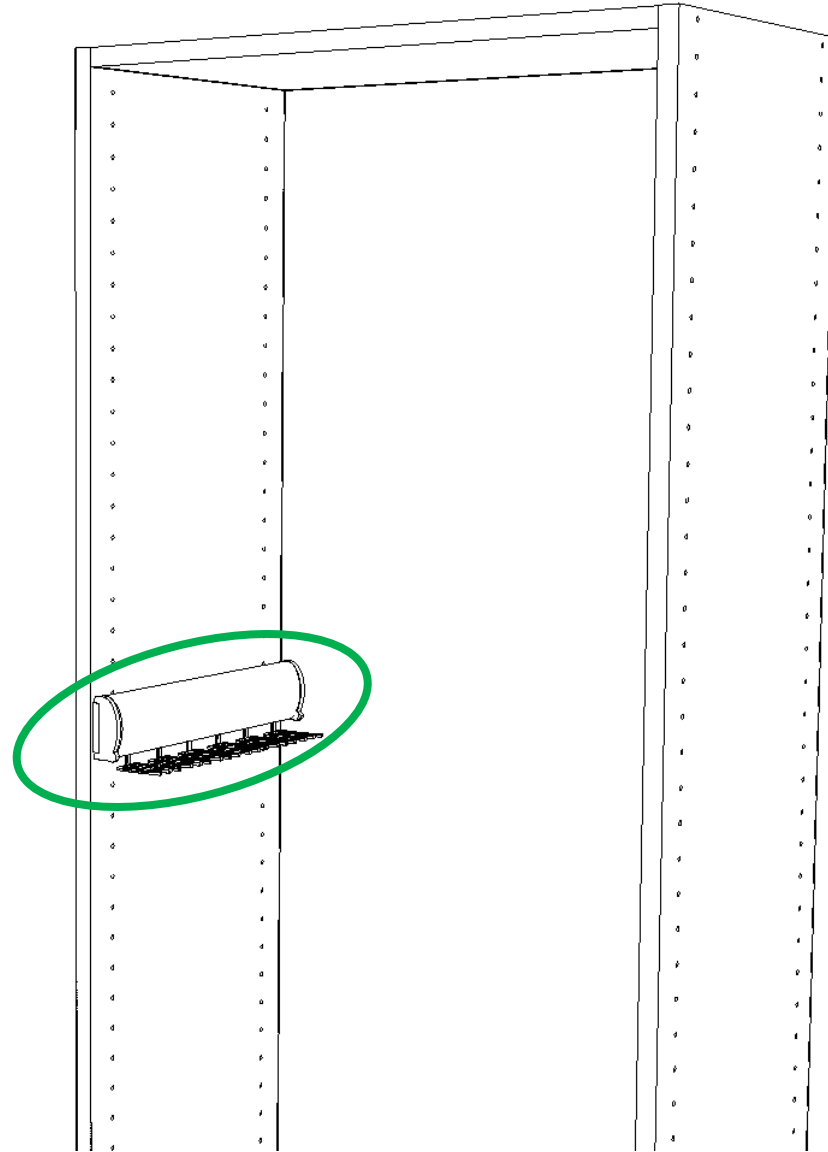
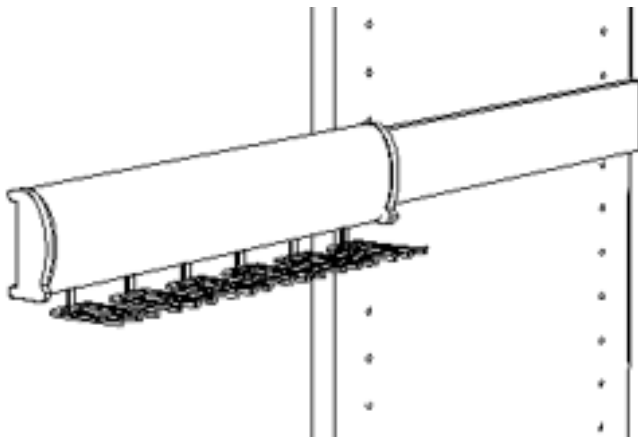
**X1 H.xxx.xx.xxx**  
*-Screws Incl.-*



**Pull-out Belt Rack**  
**(H.xxx.xx.xxx)**



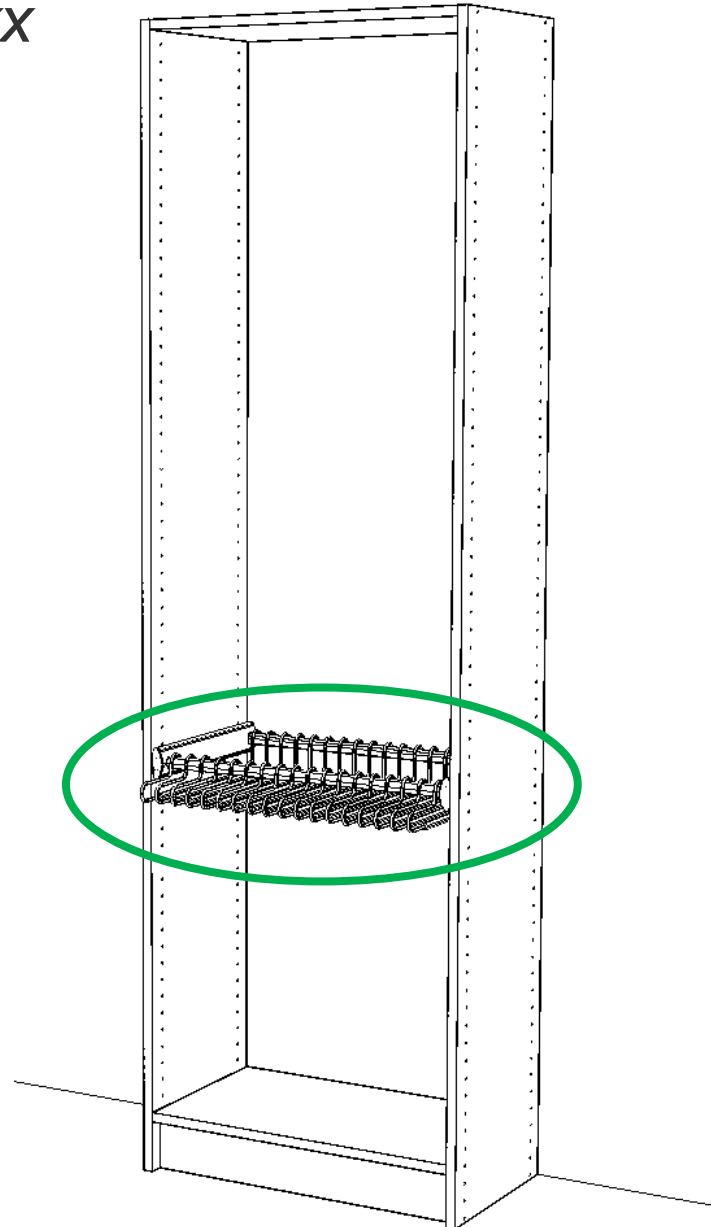
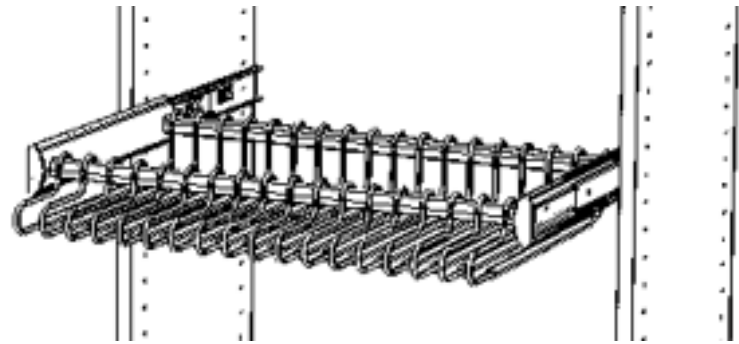
**X1** H.xxx.xx.xxx  
-Screws Incl.-



**Pull-out Tie Rack**  
**(H.xxx.xx.xxx)**



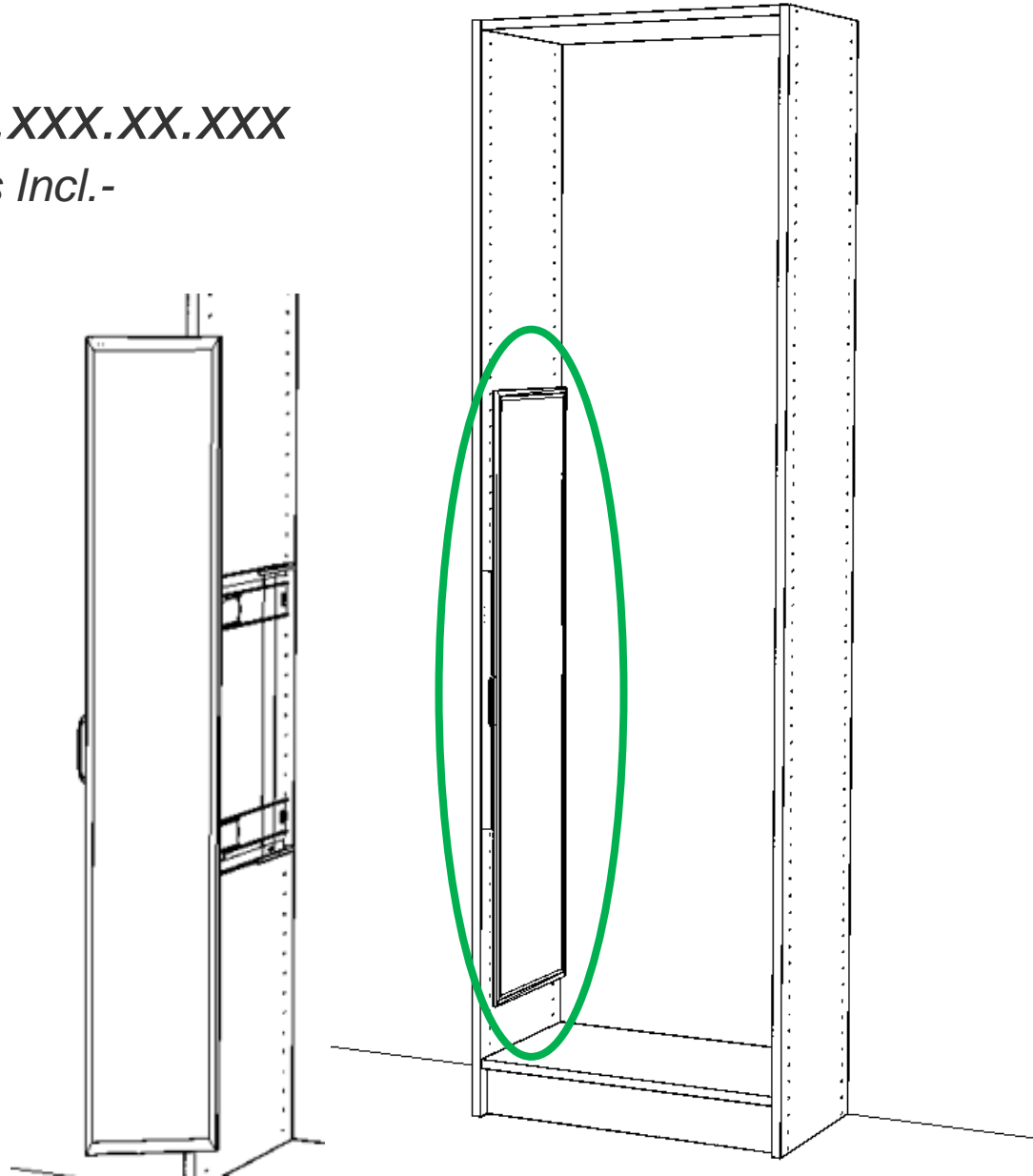
**X1 H.xxx.xx.xxx**  
-Screws Incl.-



**Pull-out Pant Rack**  
**(H.xxx.xx.xxx)**



*X1 H.xxx.xx.xxx*  
*-Screws Incl.-*

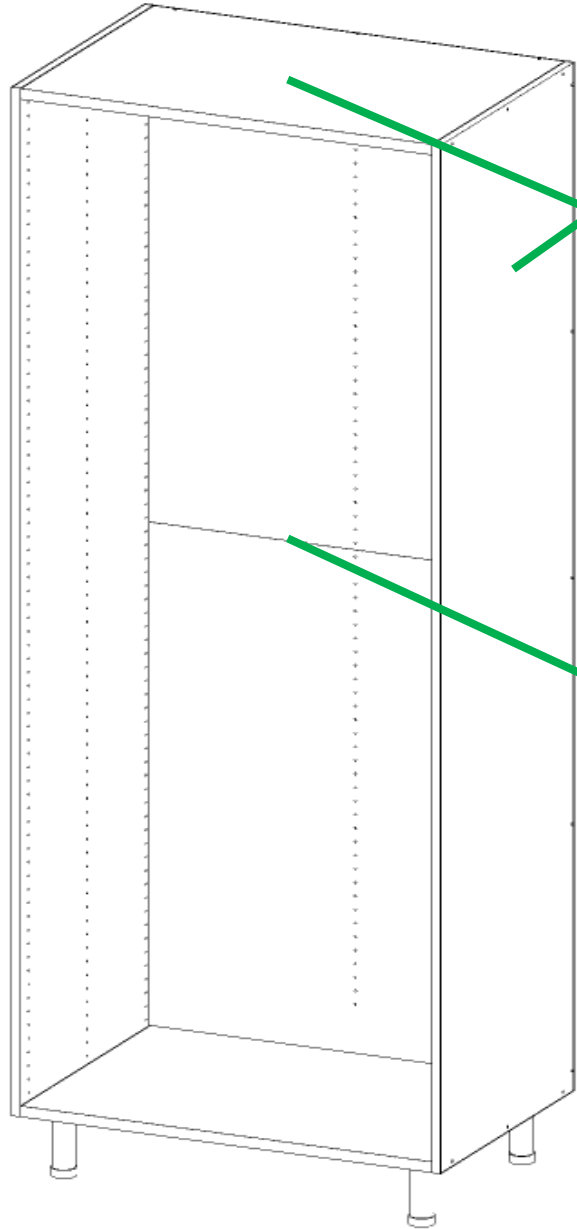


**Pull-out Mirror**  
**(H.xxx.xx.xxx)**

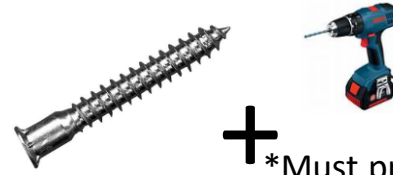


# Garage Cabinet

# Garage Cabinet



## Garage Panel (GPNLL or GPNLR)



+

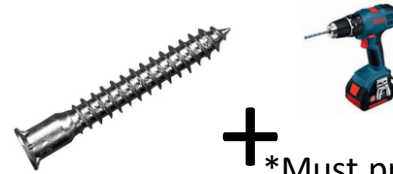
\*Must pre-drill  
Horizontal hole\*

X\_ Conformat Screw  
M-06-6516



X\_ Wood Dowel H.267.84.230

## Garage Deck (GDECK)



+

\*Must pre-drill  
Horizontal hole\*

X\_ Conformat Screw  
M-06-6516



X\_ Wood Dowel H.267.84.230

## Garage Back (GBACK)

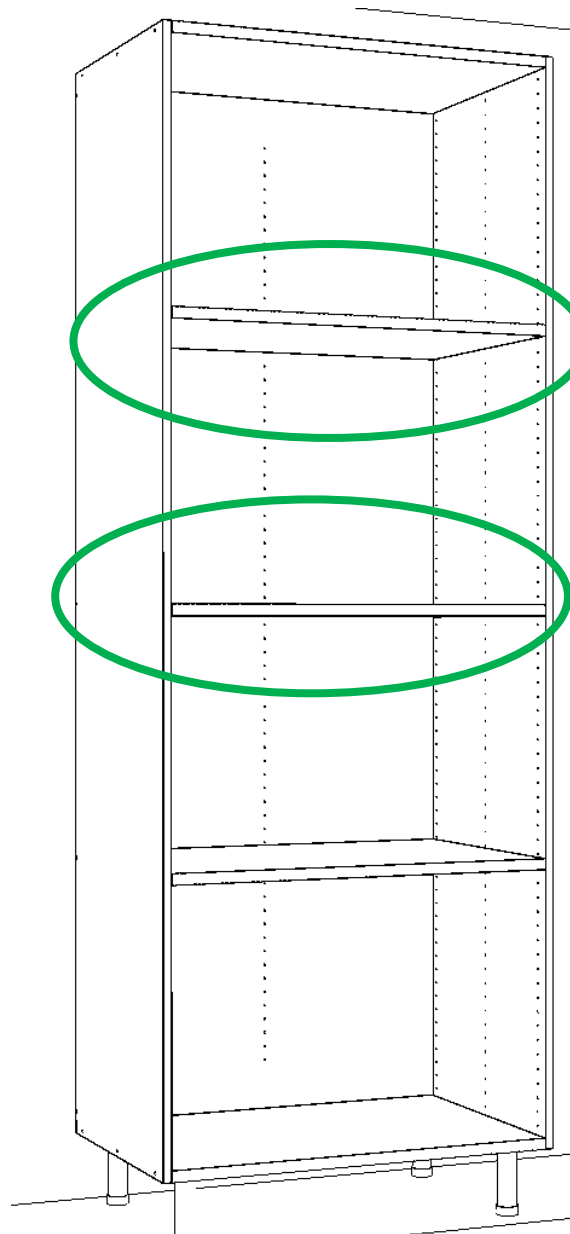


X\_ Wafer Screw M-R20-3308



X\_ Wood Dowel H.267.84.230

# Garage Cabinet Shelves



## Adjustable Shelf (1GSHFA)



**X4 + 1** Adjustable Shelf Pins  
M-03-2415

## Fixed Shelf (1GSHFA)

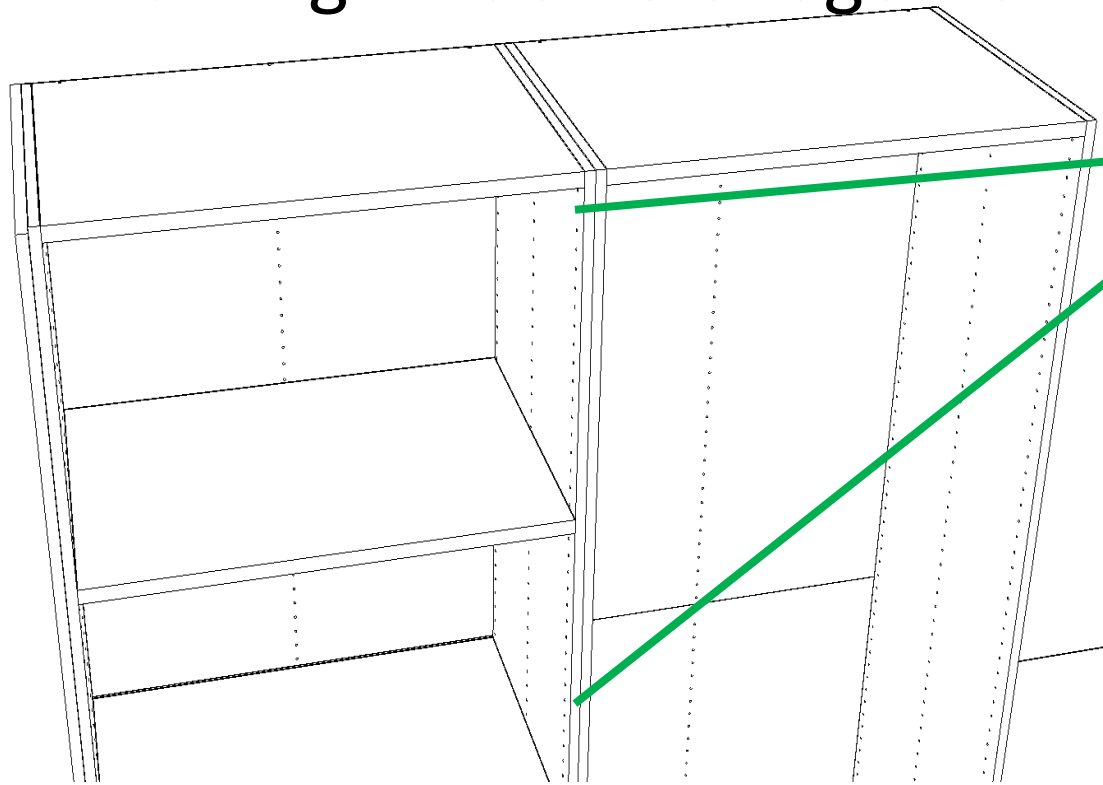


**X4 + 1** Fixed Shelf Cams  
H.263.50.705



**X4 + 1** System Bolt Single  
H.263.20.985

# Joining 2 Cabinets together



Connector Sleeve m4  
H.267.01.717



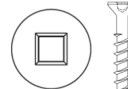
Metric Screw M4 x 10  
H.022.35.109

\*Join cabinets as needed\*

Soft-Close Hinge 110' Full Overlay  
M-105-C80A675F



Flat Screw #8 x 5/8 #2 Drive  
M-R20-1564



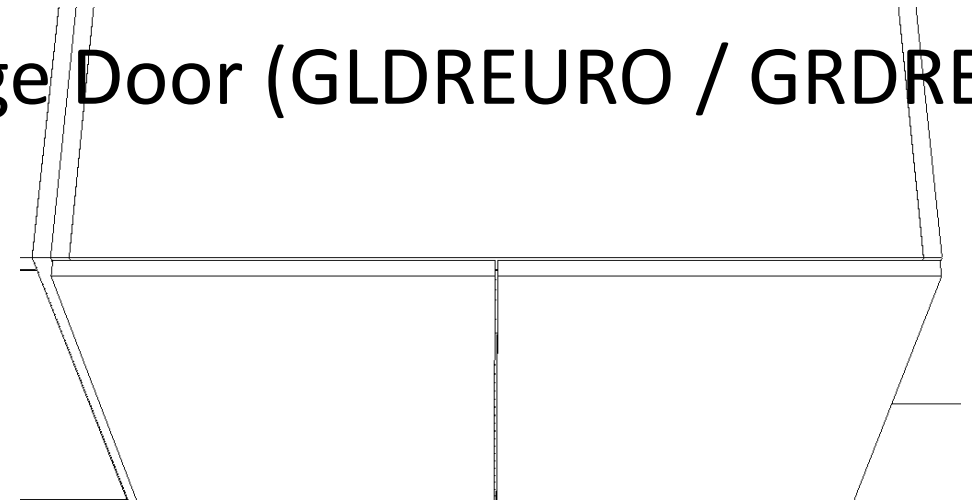
Soft Close Plate 0mm Closets/Garages  
M-105-89T02TQ



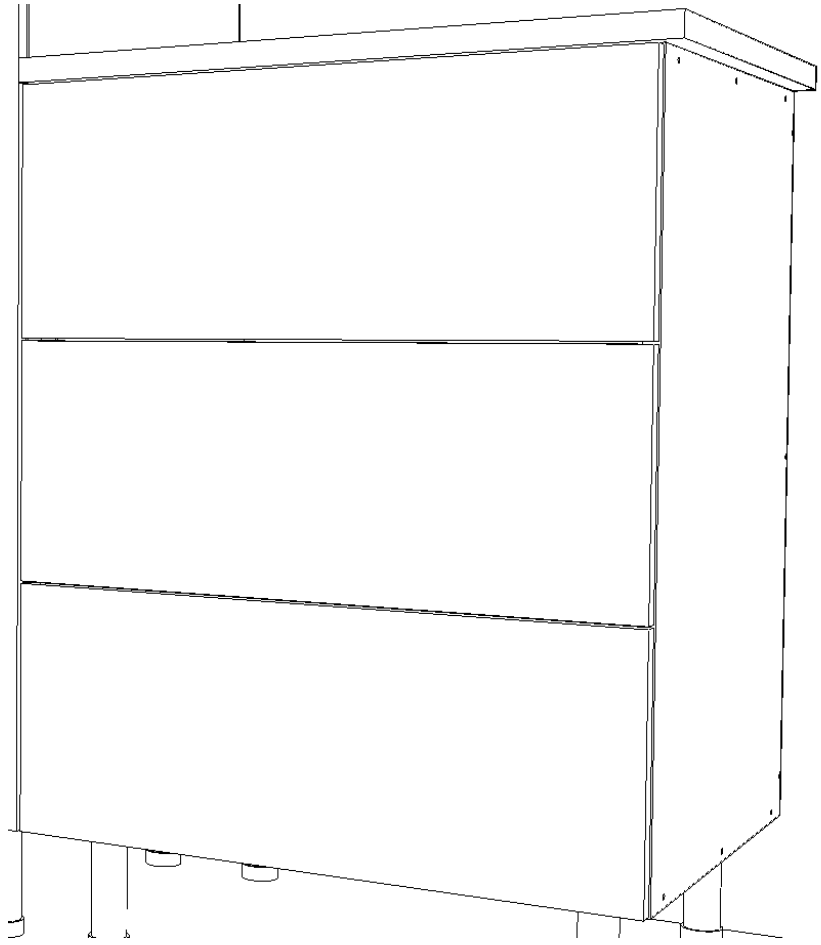
System Screw Pozi (euro)  
M-06-7000



# Garage Door (GLDREURO / GRDREURO)



# Garage Drawer Boxes & Fronts



## Garage Boxes Build

Wood Dowel  
H.267.84.230

*\*recommended to use adhesive for extra support\**

## Mounting Slides

Undermount Soft-Close Slide

+

Flat Screw #8 x 5/8 #2  
Drive M-R20-1564

+

System Screw Pozi (euro)  
M-06-7000

## Mounting Fronts

Drawer Front Screw  
Recex  
#8 x 1 1/4 M-R20-3102

## Mounting Handles

*\*cut to size screws\**

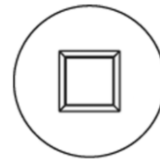
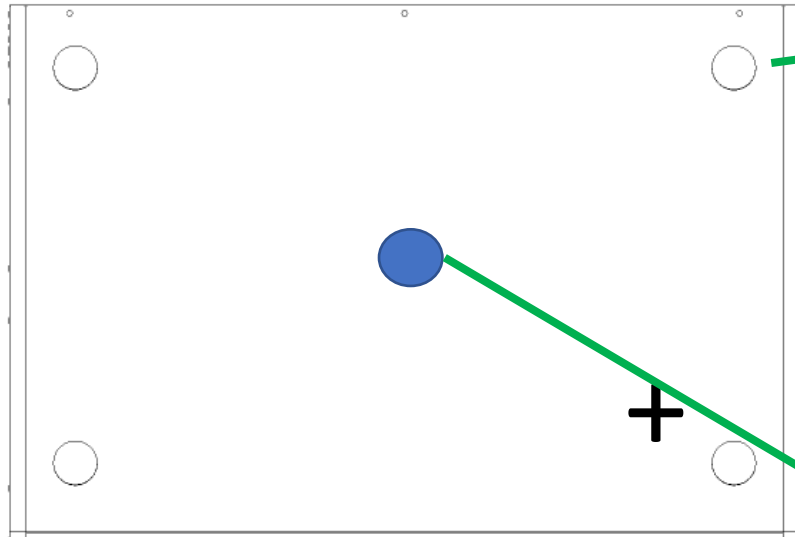
8-32 Standard Screw Break-away  
M-R20-3950

M4 Metric Screw Break-Away  
H.022.35.887

# Garage Legs



X4 + 1 Garage Leg (6")  
H.792.01.081



X12-15 Flat Screw #8 x 3/4  
M-R20-7165

\*Fifth Leg is for Wider Cabinets\*  
\*Mount in Center\*